

Security lock system for fittings systems of VITRIS, glass door locks independent from the fittings system



Security dead bolt mechanism



Non-manipulable design

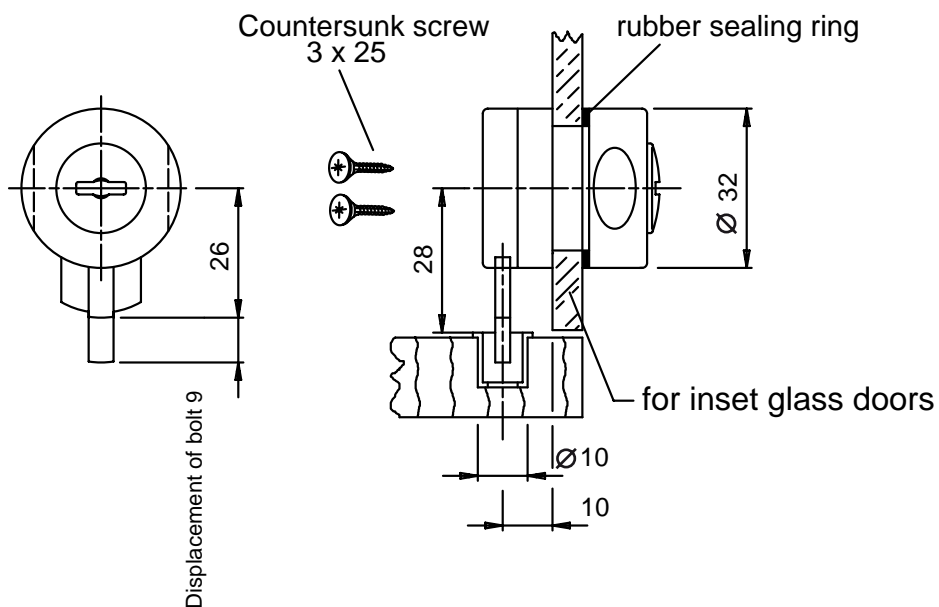
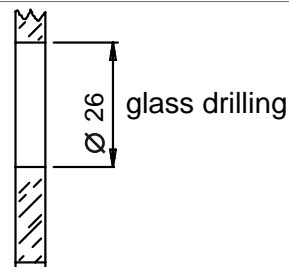
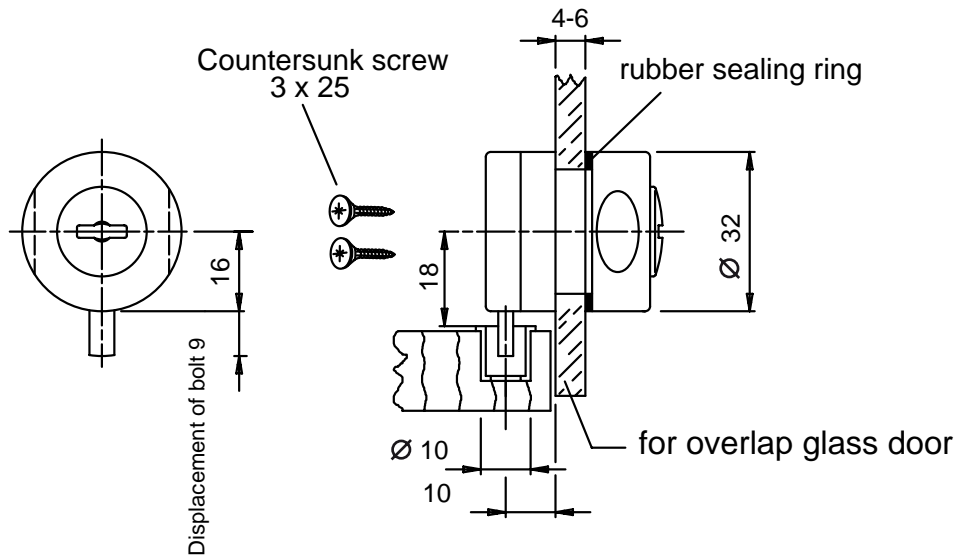


Glass door lock







Glass door lock with locking latch in lower guide

Glass door locks are compatible with SECURA high security cylinder locks





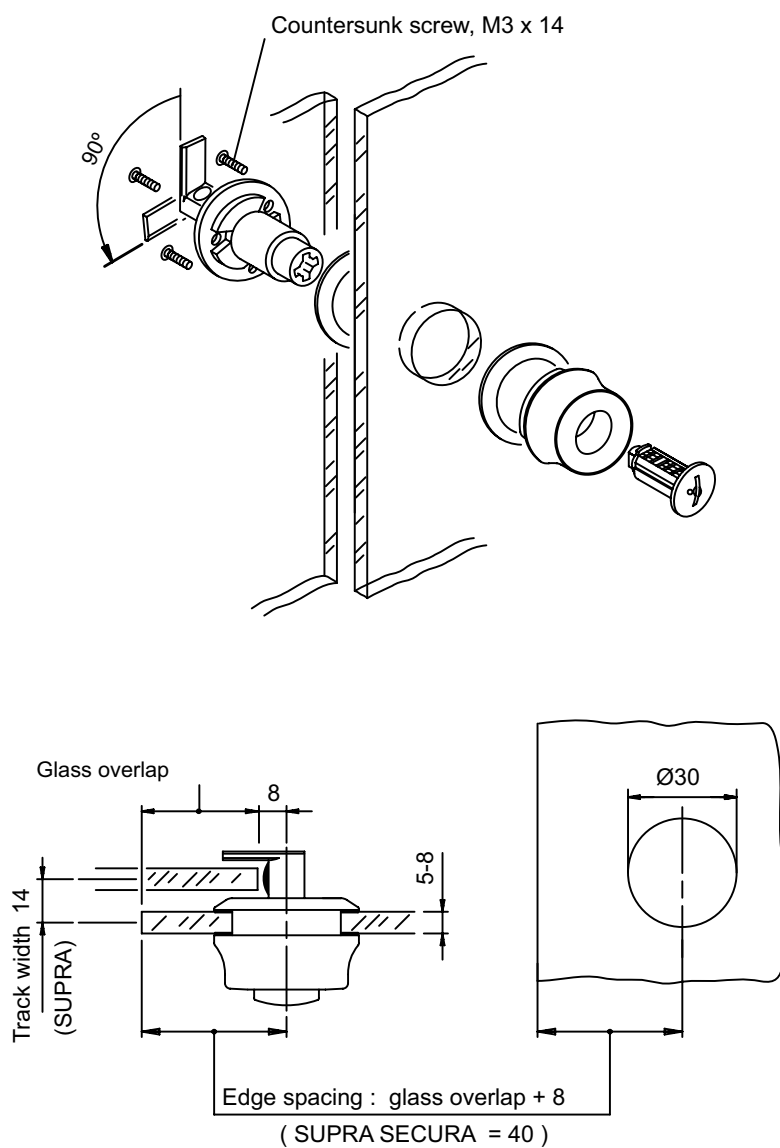
Glass door lock with locking latch in lower guide

	Designation	Article number	Specification
	<p>Glass door lock with locking latch in lower guide up to 6 mm glass thickness Locking bolt 16 mm Glass drill hole 26 mm Ø with plastic bush Quantity: 10</p>	<p>620 320.0002.415</p>	<p>Plastic nickel-plated</p>
	<p>Glass door lock with locking latch in lower guide up to 6 mm glass thickness Locking bolt 26 mm Glass drill hole 26 mm Ø with plastic bush Quantity: 10</p>	<p>620 420.0002.415</p>	<p>Plastic nickel-plated</p>
	<p>SECURA Cylinder core interchangeable with 2 keys Quantity: 10</p> <p>to pass to differ</p>	<p>606 630.0000.415 606 631.0000.415</p>	<p>Zinc nickel-plated Zinc nickel-plated</p>
	<p>SECURA Dismantling key</p>	<p>606 640.0000.415</p>	<p>Zinc nickel-plated</p>



cylinder glass door lock

Security cylinder glass door locks are compatible with SECURA high security cylinder locks






e.g in combination with SUPRA SECURA = 32 mm overlap
 + 8 mm locking bar size

 = 40 mm from edge of glass to centre of drill hole



cylinder glass door lock

	Designation	Article number	Specification
	Security cylinder glass door lock up to 8 mm glass thickness for right and left hand use Glass drill hole 30 mm Ø Quantity: 10	620 220.0002.610	Zinc white aluminium
		.620	Zinc alinox
	SECURA Cylinder core interchangeable with 2 keys Quantity: 10 to pass to differ	606 630.0000.415	Zinc nickel-plated
		606 631.0000.415	Zinc nickel-plated
		606 640.0000.415	Zinc nickel-plated
	SECURA Dismantling key		