

*Vizage*<sup>™</sup>  
a TRU•CLOSE® hinge

# Give glass gates a stylish lift

Model: TCAV1



- Fits 50mm (2") diameter round posts
- Holds 8mm (<sup>5</sup>/<sub>16</sub>") or 10mm (<sup>3</sup>/<sub>8</sub>") thick glass
- Tension adjustable both ends
- Self closes glass gates up to 25kg (55lb)
- Strong, rust-free polymer housing
- Zirconium-protected metal dress covers



**D&D Technologies**

Hi-Performance Hardware

# Vizage™ revolutionises glass gates

At last there is a gate hinge designed especially for glass gates.

The Vizage™ Glass Gate Hinge marks a new era in stylish, architectural-quality gate hinges. No longer do gate fabricators need to hassle with cumbersome conventional hinges to meet the special needs of today's round-posted fences and glass gates.

With Vizage™, everything is supplied in one convenient kit to mount directly to gates. (Contact your supplier for a glass-hole location guide.)

The only requirements for using Vizage hinges are glass panels of either 8mm (5/16") or 10mm (3/8") thickness, and round fence posts of 50mm (2") diameter.

Vizage is an extension of D&D's highly successful TruClose® range of safety gate hinges\*. The hinge is made of tough engineering polymers, and the covers are finished with zirconium-protected metal surfacing, all of which guard the hinges against rust, binding, sagging, staining and chipping.

Self-closing adjustment can be made from either end of the hinge! Each pair of hinges closes glass gates weighing up to 25kg (55lb).

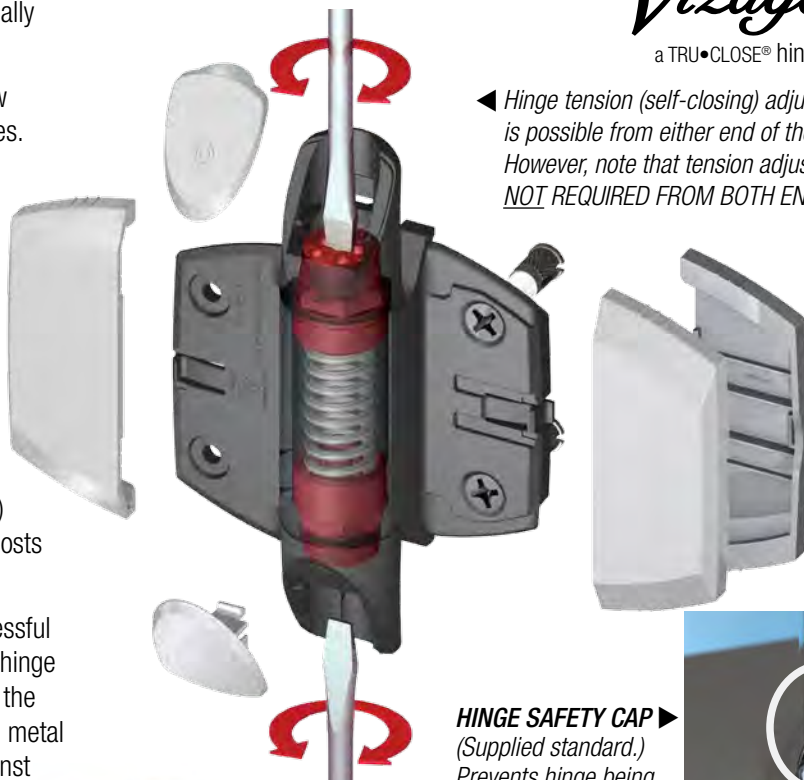
**\*Important:** Always install hinges in accordance with local pool fence/barrier regulations. Check with the appropriate local authorities in your area.



# Vizage™

a TRU•CLOSE® hinge

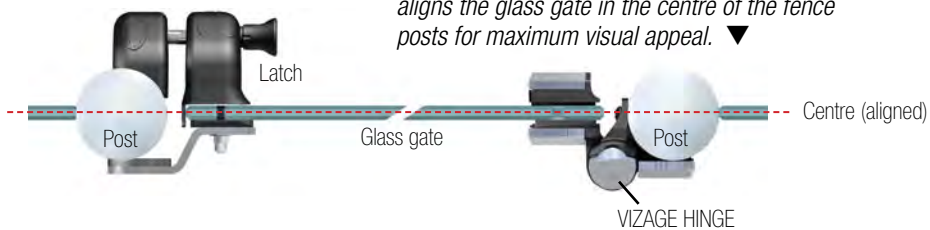
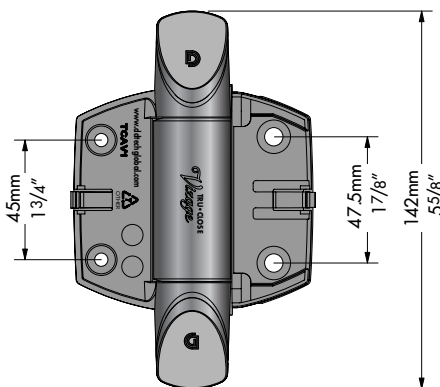
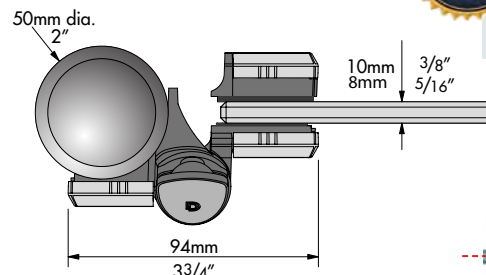
◀ Hinge tension (self-closing) adjustment is possible from either end of the hinge. However, note that tension adjustment is NOT REQUIRED FROM BOTH ENDS.



**HINGE SAFETY CAP** ▶  
(Supplied standard.) Prevents hinge being used as a foothold for toddlers. Required for bottom hinge only. Mandatory in some states and municipalities; check with local authorities in your area.



Unlike most other hinges that are 'adapted' to glass gates, the Vizage Hinge automatically aligns the glass gate in the centre of the fence posts for maximum visual appeal. ▼



Model	Finish/style	Load capacity	Colour
TCAV1-BSS	BRUSHED finish, stainless steel look	25kg/55lb	Black
TCAV1-PSS	POLISHED finish, stainless steel look	25kg/55lb	Black

**Maximum Gate Load:** Tested to 350 kg point load.

**Cycle Rating:** Tested to 100,000 cycles, self closing test of 25kg (55lb) gate.

**Safety Compliance:** AS1926 Parts 1 & 2 – 2007, Fencing for Swimming Pools.



**D&D Technologies**  
Hi-Performance Hardware  
[www.ddtechglobal.com](http://www.ddtechglobal.com)

AUSTRALIA: D&D Technologies P/L, Unit 6, 4-6 Aquatic Drive, Frenchs Forest, NSW 2086 Tel: 1800 500 203. Fax: (02) 9454 7688. E-mail: [sales@ddtech.com.au](mailto:sales@ddtech.com.au)  
USA: D&D Technologies (USA) Inc., 7731 Woodwind Drive, Huntington Beach CA 92647 Tel: (800) 716-0888. Fax: 714-677-1299. E-mail: [info@ddtechusa.com](mailto:info@ddtechusa.com)  
EUROPE: D&D Technologies B.V., Niasstraat 1, 3531 WR Utrecht, The Netherlands Tel: +31 (0)30 291 98 47. Fax: +31 (0)30 291 99 98. E-mail: [sales@ddtech.nl](mailto:sales@ddtech.nl)