

9. GATE CLOSER



ADJUSTABLE GATE CLOSER

SAMSON - STAINLESS STEEL - (PATENT PENDING)

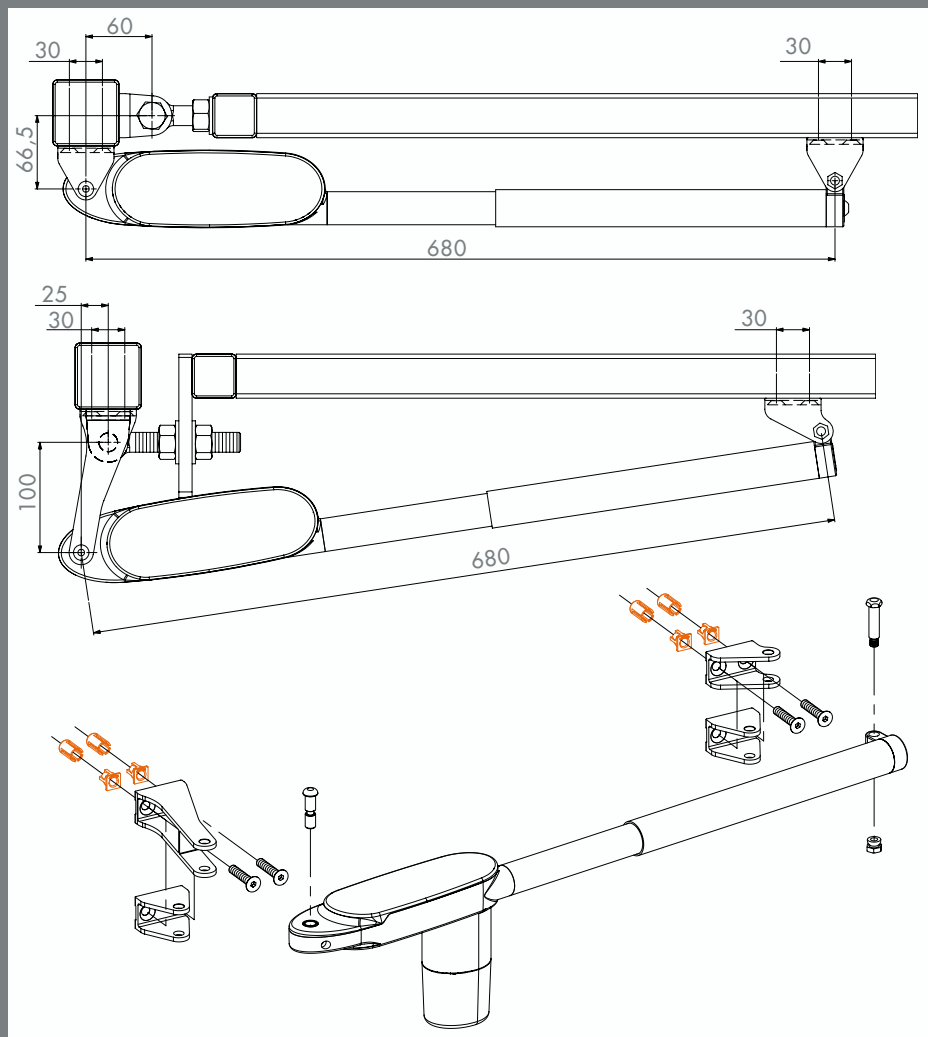
TYPE SAMSON

ADJUSTABLE STAINLESS STEEL GATE CLOSER

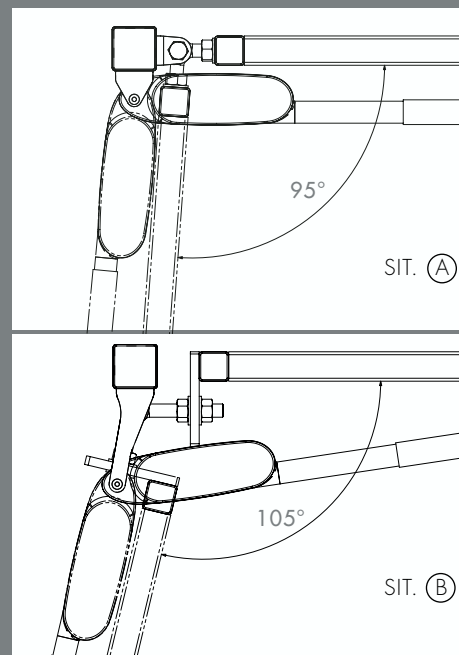
- Adjustable closing speed & closing pressure
- Closing speed unaffected by humidity and temperature changes
- Freerun for perfect closing
- Especially designed for exterior use: rain & frost-proof
- Designed with rustproof materials
- Can be blocked in open position at 110°
- Robust design
- Fixings: Anti-theft and vandalism proof
- Fast and easy fixing : Quick-fix
- Same drilling pattern as Titan 350/500



PREPARING PROFILES



SPECIFICATIONS



SAMSON

- For small & big gates
- Adjustable pressure
From: 320N - 32 Kg
To: 450N - 45 Kg

ADJUSTABLE CLOSING SPEED



ADJUSTABLE CLOSING PRESSURE

