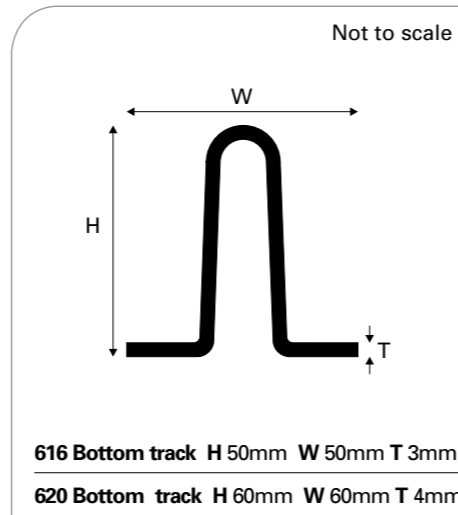


# Rollaway gate system



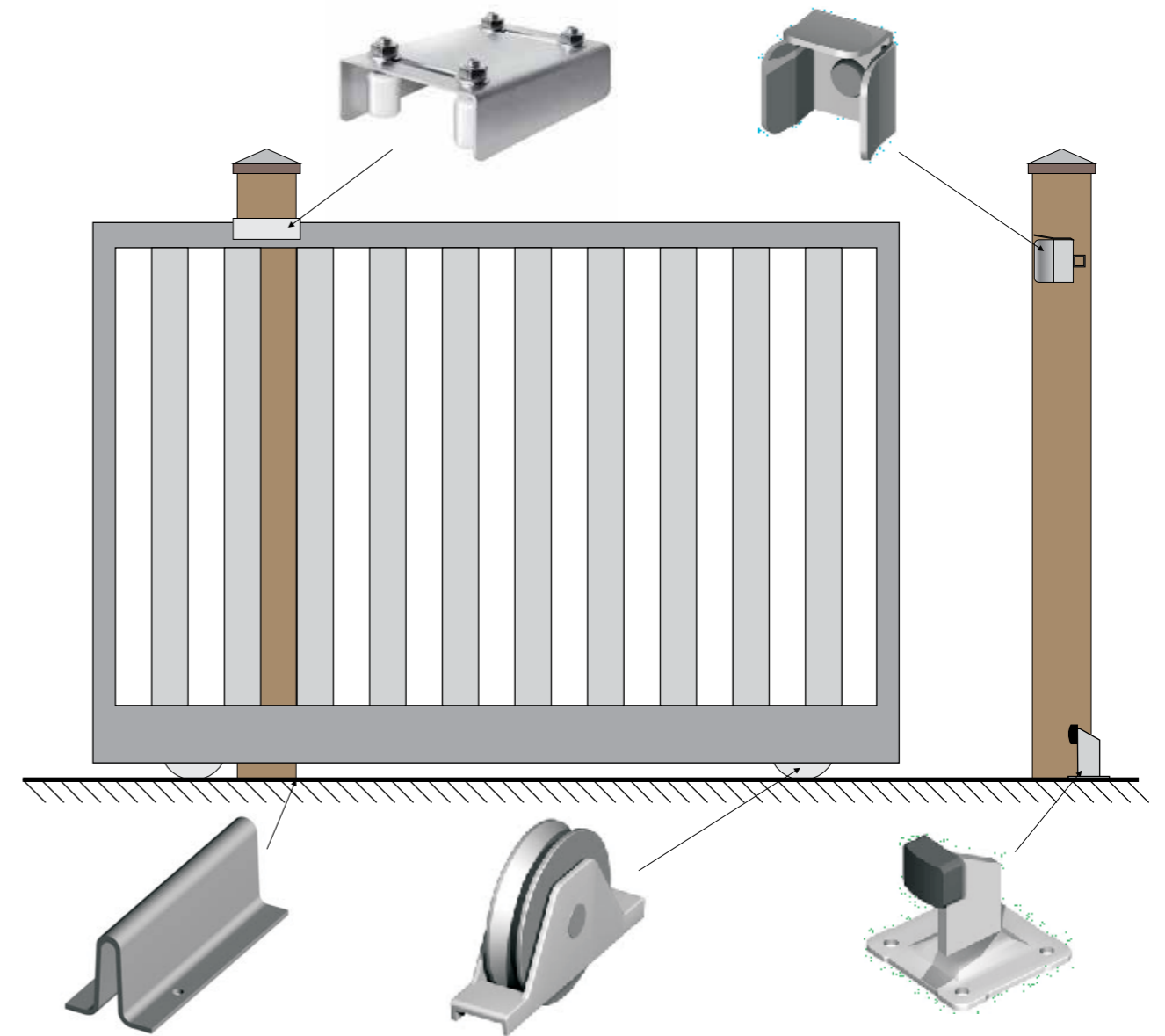
	RG400/3	RG800/45	RG800/6
Maximum gate weight	400 kg	800 kg	800 kg
Maximum opening width	3000 mm	4500 mm	6000 mm
Maximum gate thickness	50 mm	60 mm	60 mm

Bottom rolling gate hardware for gates. Supplied in kits comprising of bottom track, 2 bottom rollers, 1 top guide, 1 location shoe and 2 gate stops. All components are available separately. A sliding gate lock is available and is shown on page 27.



**Ideal for: Heavy duty metal sliding gates**

## Standard hardware kit layout



Also on opposite end where gate rests when open.

