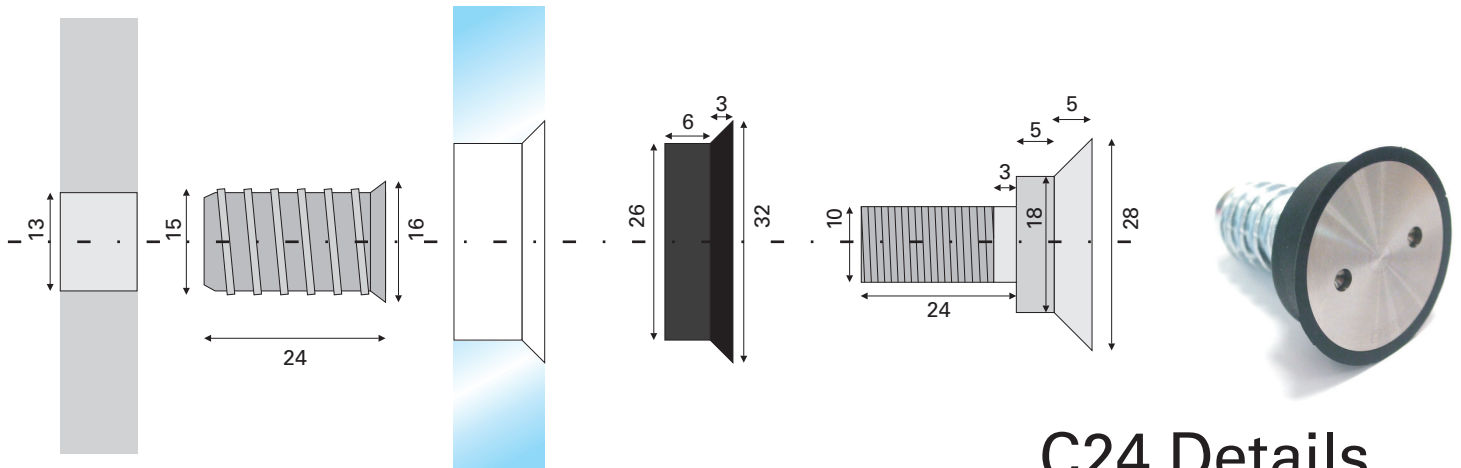


# F24 & C24

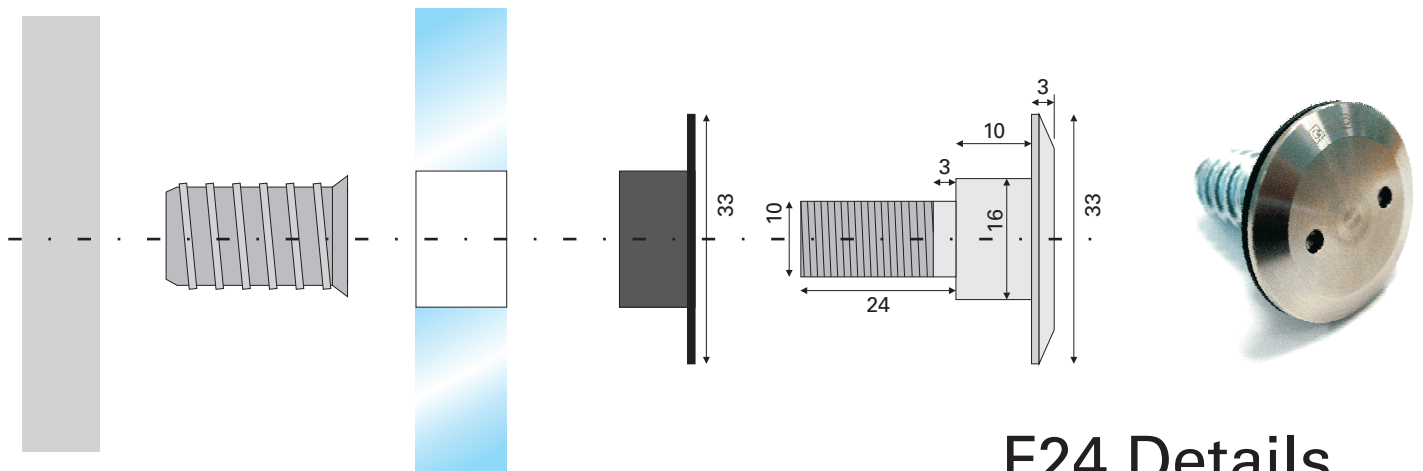
## Single Glass - Wall Fixings.

Machined from stainless steel. Available in a satin finish only.

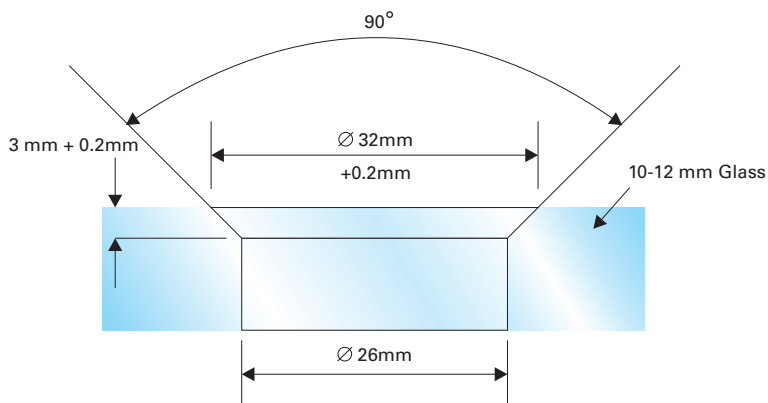
C24 is suitable for Countersunk Glass. F24 is suitable for Straight Drilled Glass.



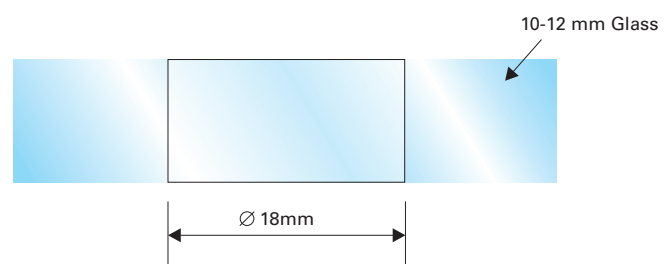
### C24 Details



### F24 Details



### C24 GLASS PREPARATION DETAILS



### F24 GLASS PREPARATION DETAILS