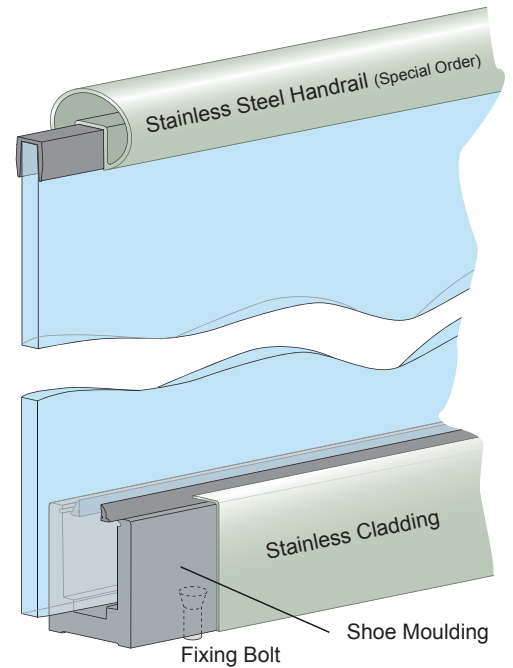


# BarrierProgrip

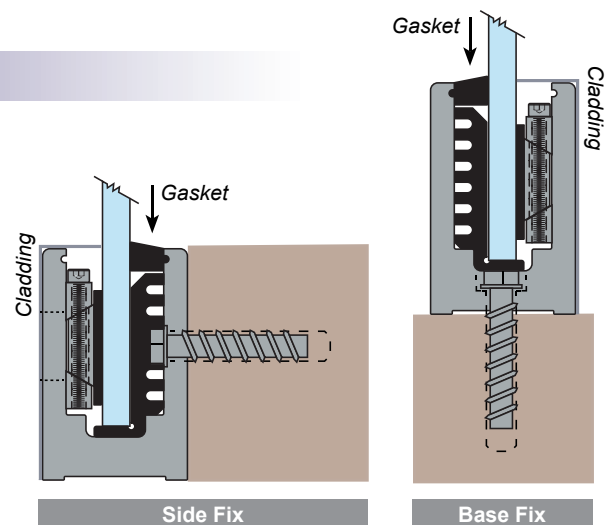
U.S. Patent 7,730,682; Other patents pending



The Progrip System utilises a unique locking mechanism of high-strength aluminium and PVC isolators combined with a specially designed aluminium Shoe Moulding. When assembled with tempered monolithic, or tempered laminated glass, Progrip enables the installer to fabricate a structural Glass Railing System with a significant reduction in labour.

## Advantages

- Adjustable**  
 The Progrip design enables the system to be simply adjusted and readjusted when installed
- Reduce Labour Costs Up To 80%**  
 No sealing of the shoe, no setting blocks, no plumbing of glass, no multiple pours of cement, no waiting for cement to cure; no messy clean-up
- No Special Tools Required**  
 All you need is an Allen key for installation or removal of glass



## How To Use



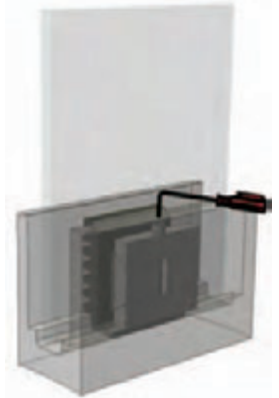
1. Place Dry Mount Grips into shoe moulding



2. Insert Panelgrip on the opposite side

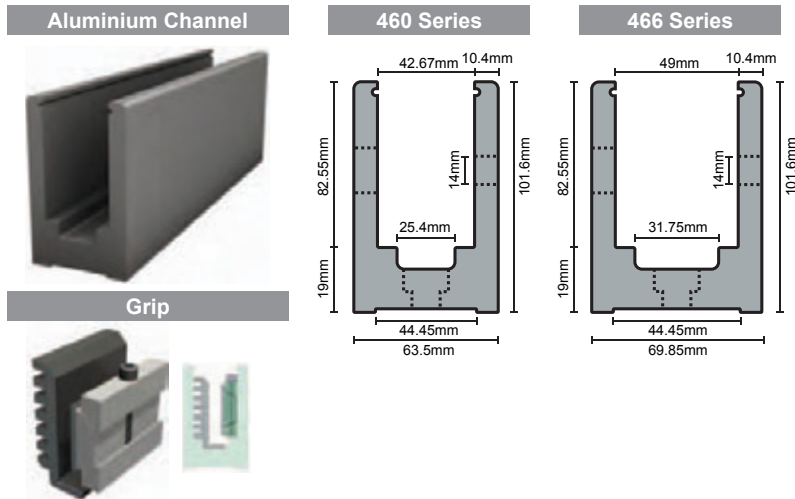


3. Tighten PanelGrip mechanism



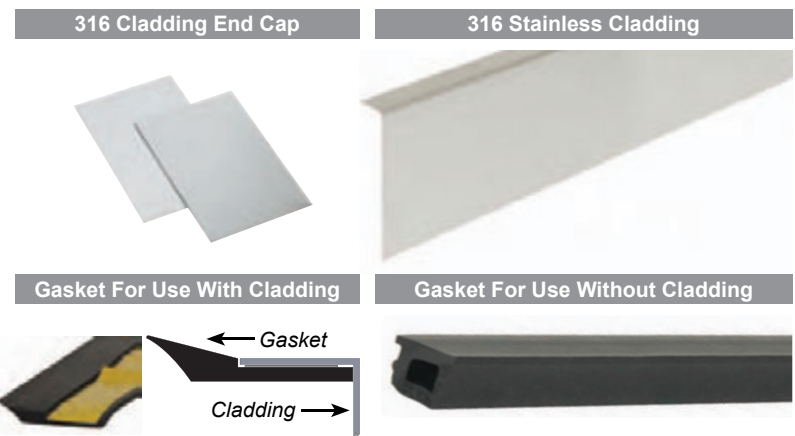
4. Confirm alignment and fully tighten

# Aluminium channel and grip selector



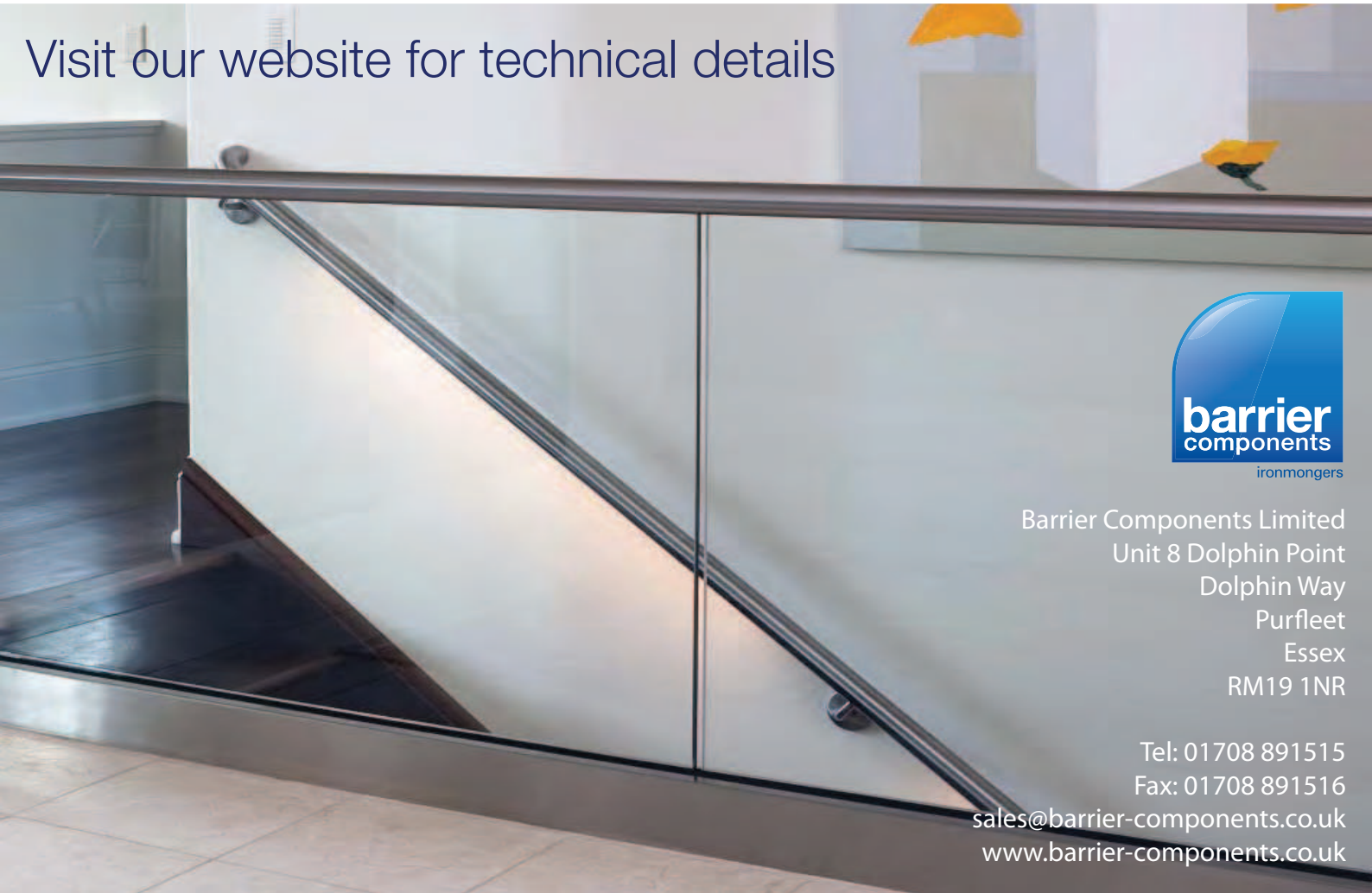
Base Fix			
Glass Thickness	Channel Code	Length	Grip Code
9 - 13mm	5460B	3m	5461B
11 - 15mm	5460B		5461
15 - 19mm	5466B		5461B
18 - 21.5mm	5466B		5461
Side Fix			
9 - 13mm	5460S	3m	5461B
11 - 15mm	5460S		5461
15 - 19mm	5466S		5461B
18 - 21.5mm	5466S		5461
Channel fixing holes are 14mm at 150mm Centers to suit a 12mm bolt			Please order 5 grips per metre

# Cladding and gasket selector



316 Stainless Cladding & Gasket			
Product	Size / Type	Length	Code
Stainless Cladding	105 x 20.6 x 0.8mm	3.04m	5465
460 Series End Cap	Satin	-	5467
466 Series End Cap	Satin	-	5468
Cladding tape	Double Sided	50m	5453
Gasket - Full Roll	28 x 6mm	30.4m	5463
Gasket - Metre	28 x 6mm	1.0m	54631
Gasket For Use Without Cladding			
Gasket - Full Roll	18 x 14mm	30.4m	5462
Gasket - Metre	18 x 4mm	1.0m	54621

Visit our website for technical details



Barrier Components Limited  
 Unit 8 Dolphin Point  
 Dolphin Way  
 Purfleet  
 Essex  
 RM19 1NR

Tel: 01708 891515  
 Fax: 01708 891516  
[sales@barrier-components.co.uk](mailto:sales@barrier-components.co.uk)  
[www.barrier-components.co.uk](http://www.barrier-components.co.uk)