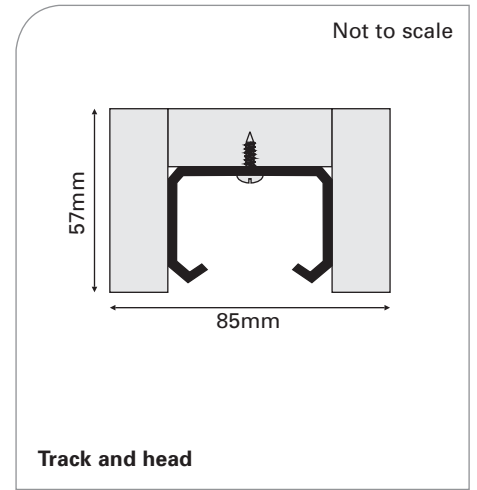
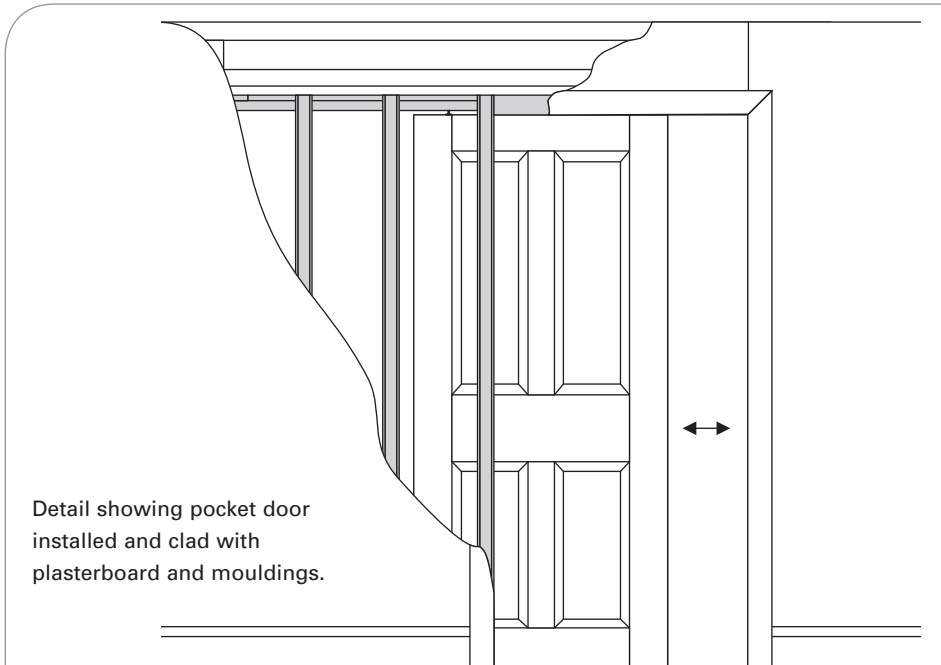


Pocket door kit



	PD1	PD2
Number of doors	1	1
Maximum door weight	90 kg	90 kg
Maximum door width	915 mm	1200 mm
Maximum opening width	915 mm	1200 mm
Maximum door height	2032 mm	2400 mm
Recommended door thickness	35-44 mm	35-44 mm

The pocket door kit enables you to create a door that slides into a cavity wall when it is opened. Thus saving valuable space. You can also join 2 kits with a jointing kit (supplied separately) to create a double door opening. Kits come complete with cavity forming studs plus the sliding door hardware and comprehensive instructions. Available in 2 sizes as shown above. For a pair of co-ordinating bi-parting doors, please contact our sales office.



Ideal for: Toilets, room dividers, en-suite bathrooms etc

