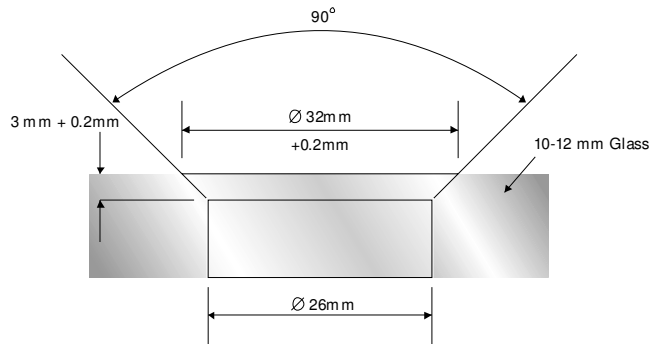


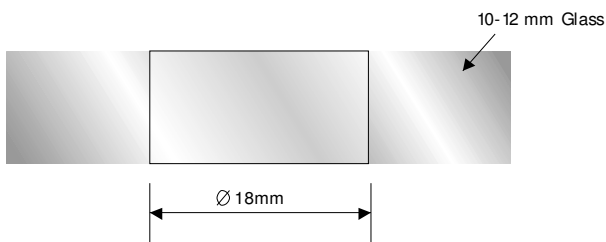
# G102C

## Drilling detail



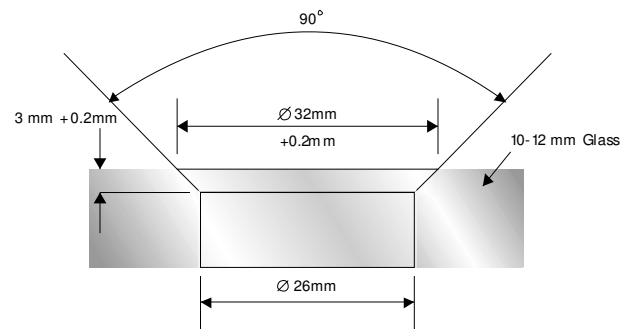
# F24

## Drilling detail



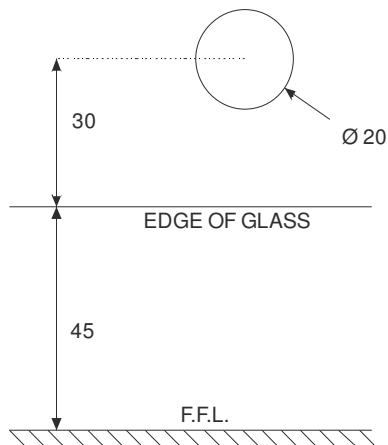
# C24

## Drilling detail



# G245F

## Cubical drilling option



## Standard fix option

