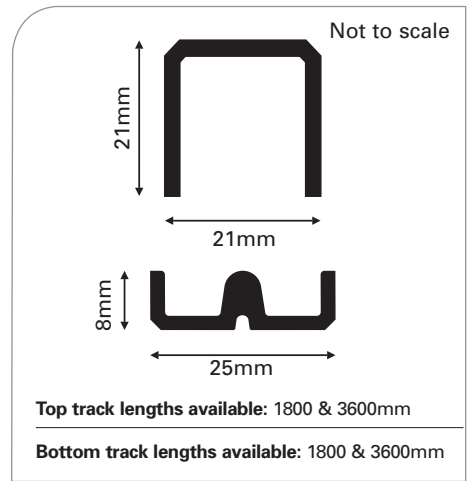


Vistafold 44

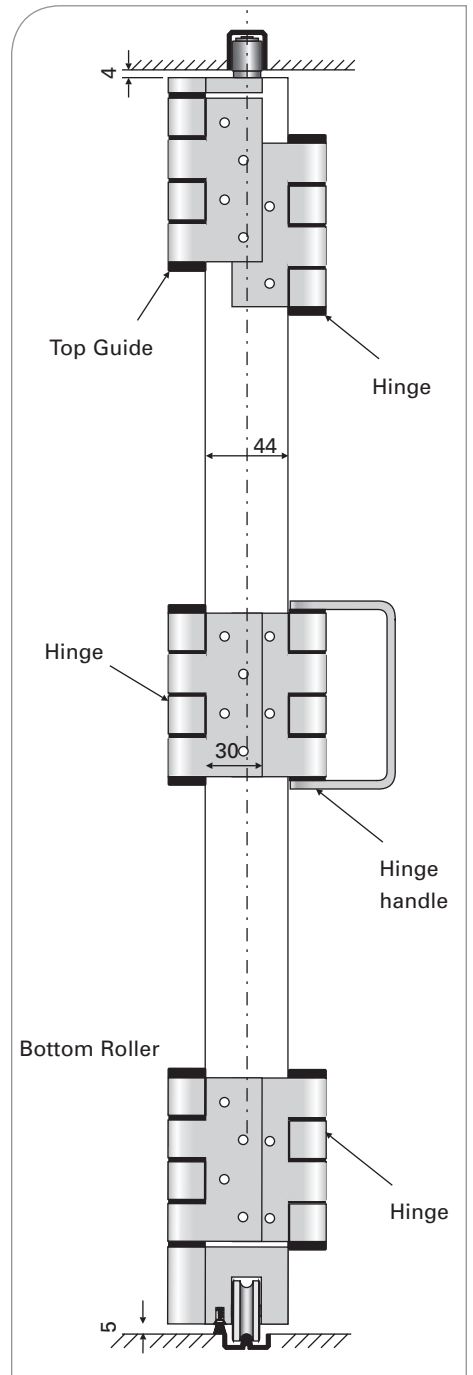
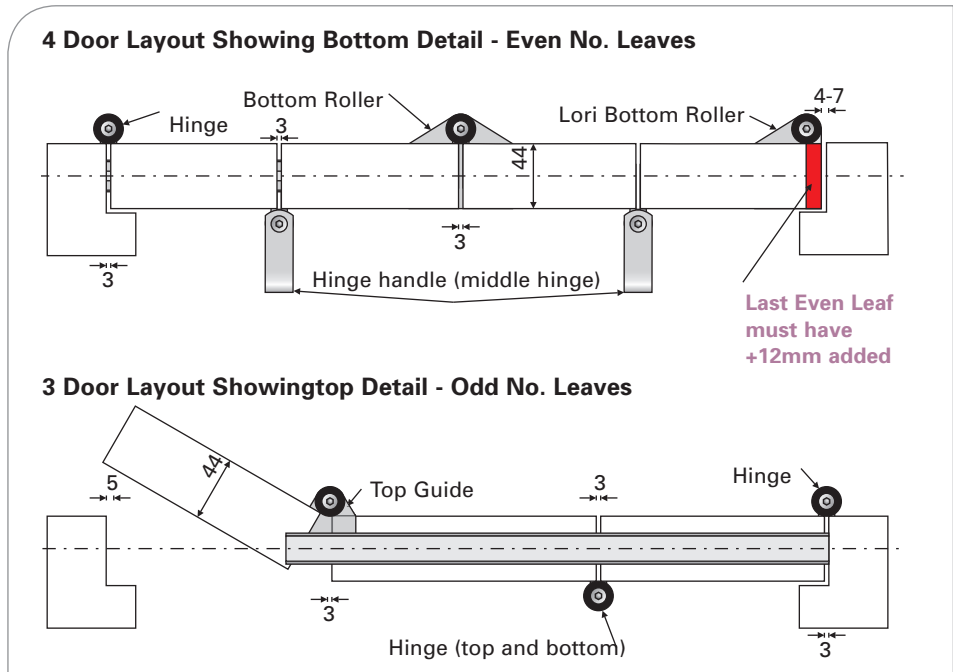


Maximum number of doors	7 each side
Maximum door weight	70 kg
Maximum door width	900 mm
Maximum opening width	12600 mm
Maximum door height	3000 mm
Door thickness	44 mm

Ideal for internal and external folding doors when a structure is not available to support doors from above. With minimal floor track and guide channel it can easily be installed into existing apertures with little disruption. The track can either be let into a frame or face fitted with a 8mm timber ramp either side. The hardware includes suited hinges, handles, running gear and the choice of all items including track in either a silver or gold 25 micron anodised finish. See pages 58 and 59 for further details.



Ideal for: Folding patio doors, garage doors and internal room dividers



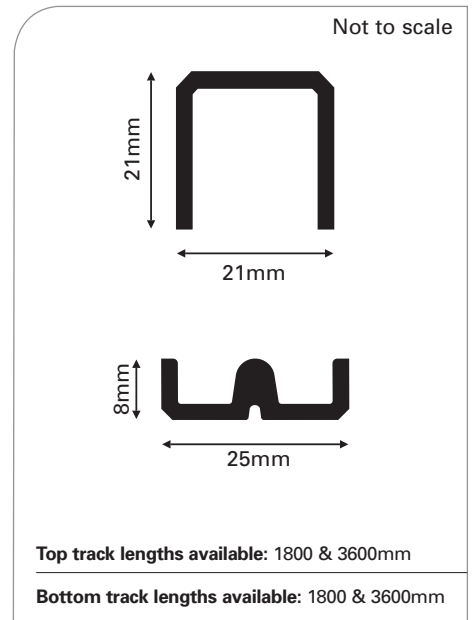
These pictures give 3 examples of where Vistafold 44 is ideal. Above left is a garage door using framed ledged and braced doors. Above is a seafront commercial property. Left shows a 6 leaf layout on a Tithe Barn.

Vistafold 56

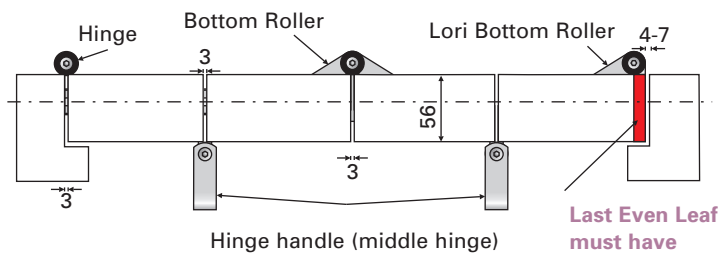


Maximum number of doors	7 each side
Maximum door weight	70 kg
Maximum door width	900 mm
Maximum opening width	12600 mm
Maximum door height	3000 mm
Minimum door thickness	56 mm

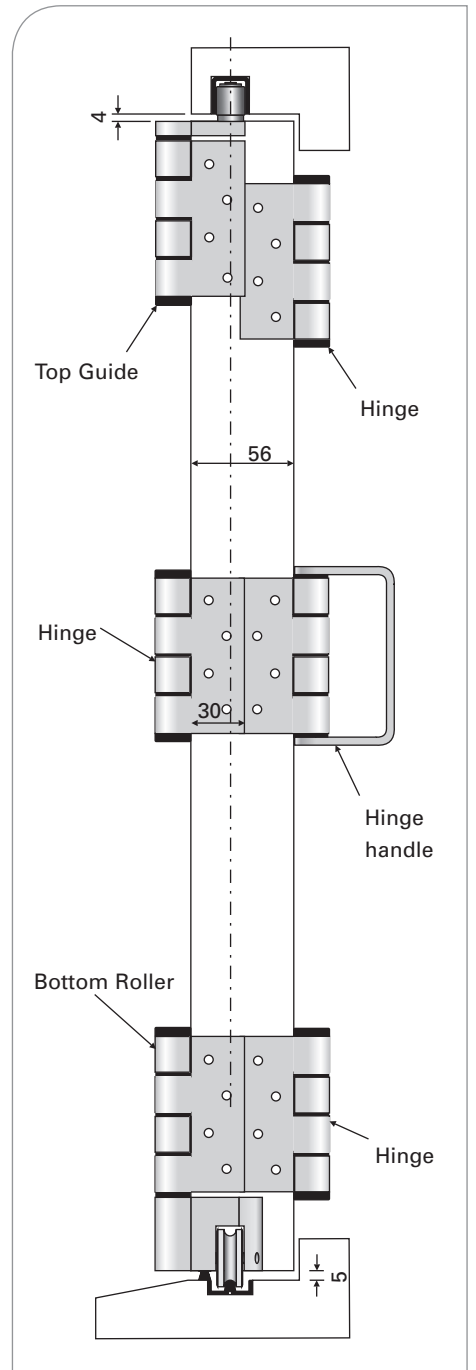
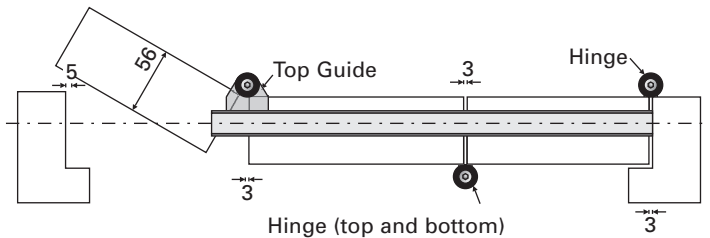
Ideal for glazed folding sliding patio doors as it is designed to fit into a standard door frame. Being bottom rolling there is no need for additional structural support as all the weight is supported at the bottom similar to traditional sliding patio doors. Available in either silver or gold 25 micron anodised finishes. See pages 58 and 59 for further details.



4 Door layout showing bottom detail - even number leaves



3 Door layout showing top detail - odd number leaves



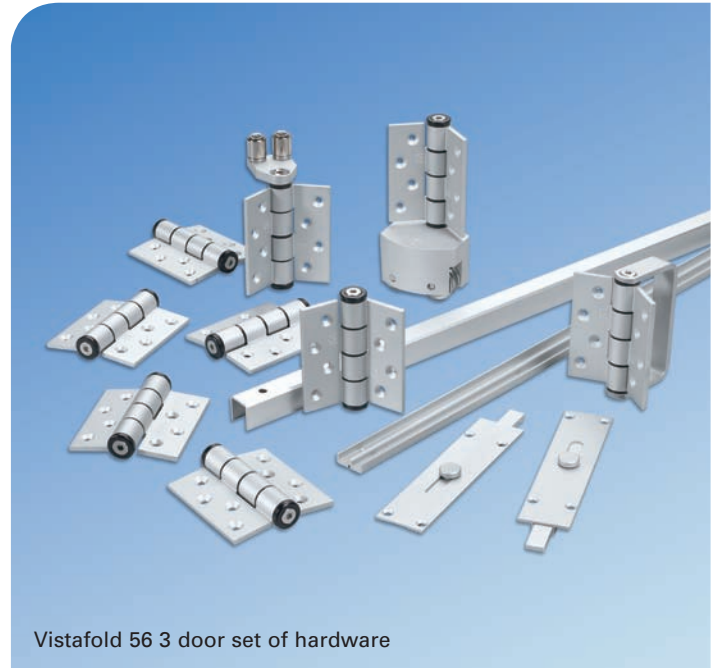
Vistafold hardware details



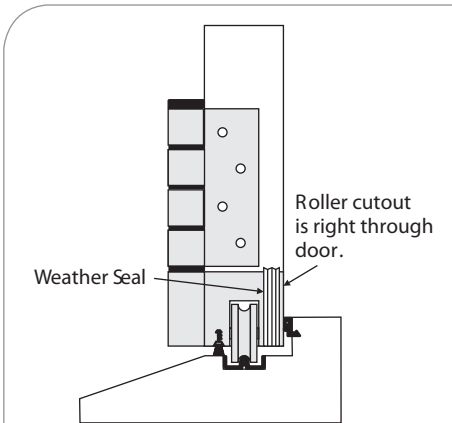
The details on this page relate to both Vistafold 44 and 56. The hardware is identical apart from the bottom rollers.

Most hardware can either be supplied in Silver or Gold anodised finish and is perfect for use in harsh environments due to the 25 micron anodising. Vistafold has also been weather tested to BS 6375; Part 1:2004 in conjunction with good quality doors as per our recommendations.

Vistafold is very simple to specify but if you need further help please call the office.

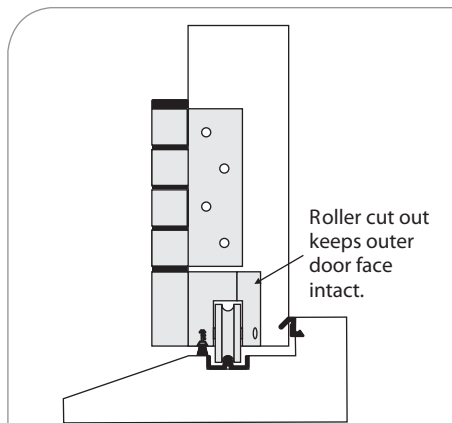


Vistafold 56 3 door set of hardware



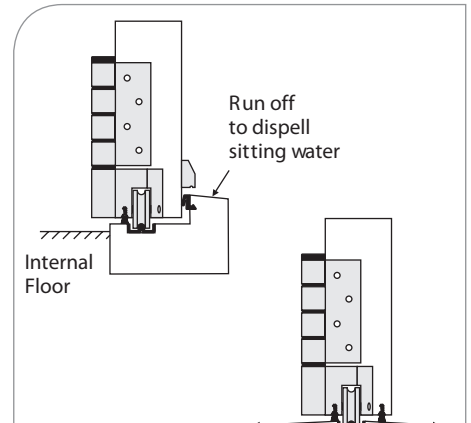
Section through 44mm Roller

44mm Rollers require a cut right through the door. Weatherseal is provided to place around bottom block housing to provide adequate weather rating.



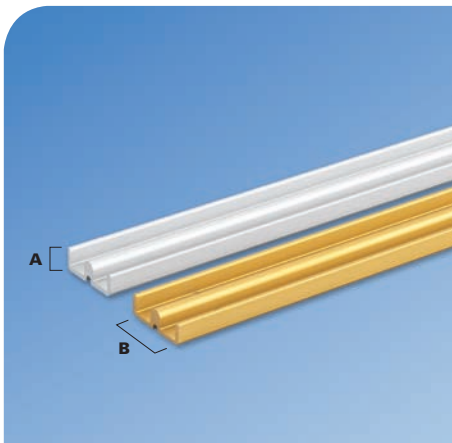
Section through 56mm Roller

56mm Rollers have been designed so that no part of the roller is visible from one side and can accommodate a door thickness upto 70mm.



Threshold Alternatives

With Vistafold you can have the doors folding inwards or outwards with a rebated sill or a flat threshold. Cills and thresholds not supplied by B.C.L

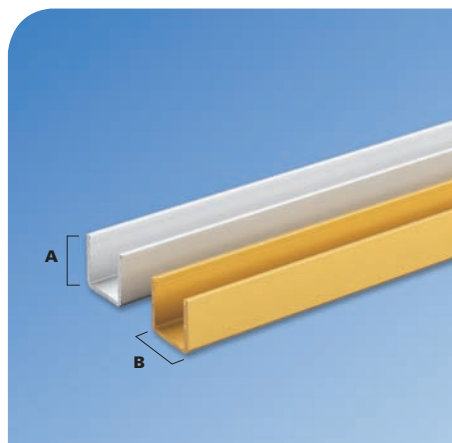


Bottom Track 815A

Available in Silver or Gold Anodised Aluminium

Stock Lengths - 1800 mm and 3600 mm

A 8 mm B 25 mm



19LA Top Guide Channel

Available in Silver or Gold Anodised Aluminium.

Stock Lengths -1800 mm and 3600 mm

A 21 mm B 21 mm



Gold Anodised Hardware

Please specify colour preferences when ordering;

S - Silver Anodized

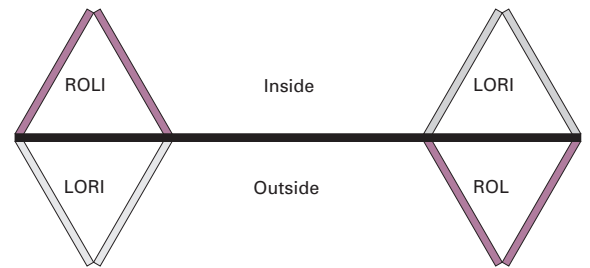
G - Gold Anodized

Vistafold kit selection

Kits suitable for both inward or outward opening

To select your hardware you must;

1. Select the correct hardware based upon door thickness, door layout and finish. Use the guide opposite for selecting either ROLI or LORI kits where required. Track and channel is included. Kits can be combined. For example: VFD-3-44S + VFD-2-44-R-S.
2. Weatherseals, brush strips and locks are also available - call our sales office for details.



Layout	Options	Silver Anodised Finish	Gold Anodised Finish
/	Hinge Mounted With Flush Bolts	VFD-1HB-S	VFD-1HB-G
	Hinge Mounted Only	VFD-1H-S	BFD-1H-G

Layout	Options	Silver Anodised Finish	Gold Anodised Finish
^	44mm doors only ROLI (LORI)	VFD-2-44-R-S (VFD-2-44-L-S)	VFD-2-44-R-G (VFD-2-44-L-G)
	56+mm doors / Outward ROLI (LORI)	VFD-2-56-R-S (VFD-2-56-L-S)	VFD-2-56-R-G (VFD-2-56-L-G)

Layout	Options	Silver Anodised Finish	Gold Anodised Finish
N	44mm doors only	VFD-3-44-S	VFD-3-44-G
	56+mm doors	VFD-3-56-S	VFD-3-56-G

Layout	Options	Silver Anodised Finish	Gold Anodised Finish
M	44mm doors only ROLI (LORI)	VFD-4-44-R-S (VFD-4-44-L-S)	VFD-4-44-R-G (VFD-4-44-L-G)
	56mm + doors ROLI (LORI)	VFD-4-56-R-S (VFD-4-56-L-S)	VFD-4-56-R-G (VFD-4-56-L-G)

Layout	Options	Silver Anodised Finish	Gold Anodised Finish
W	44mm doors only	VFD-5-44-S	VFD-5-44-G
	56mm + doors	VFD-5-56-S	VFD-5-56-G

Layout	Options	Silver Anodised Finish	Gold Anodised Finish
W	44mm doors only ROLI (LORI)	VFD-6-44-R-S (VFD-6-44-L-S)	VFD-6-44-R-G (VFD-6-44-L-G)
	56+mm doors ROLI (LORI)	VFD-6-56-R-S (VFD-6-56-L-S)	VFD-6-56-R-G (VFD-6-56-L-G)

Layout	Options	Silver Anodised Finish	Gold Anodised Finish
W	44mm doors only	VFD-7-44-S	VFD-7-44-G
	56+mm doors	VFD-7-56-S	VFD-7-56-G

Layout	Options	Silver Anodised Finish	Gold Anodised Finish
^ ^	44mm doors only	VFD-2+2-44-S	VFD-2+2-44-G
	56+mm doors	VFD-2+2-56-S	VFD-2+2-56-G

Layout	Options	Silver Anodised Finish	Gold Anodised Finish
M M	44mm doors only	VFD-4+4-44-S	VFD-4+4-44-G
	56+mm doors	VFD-4+4-56-S	VFD-4+4-56-G