

Series K300 / K500



Track K300

Maximum door weight	300kg
Maximum door width	4000mm
Maximum door height	6000mm

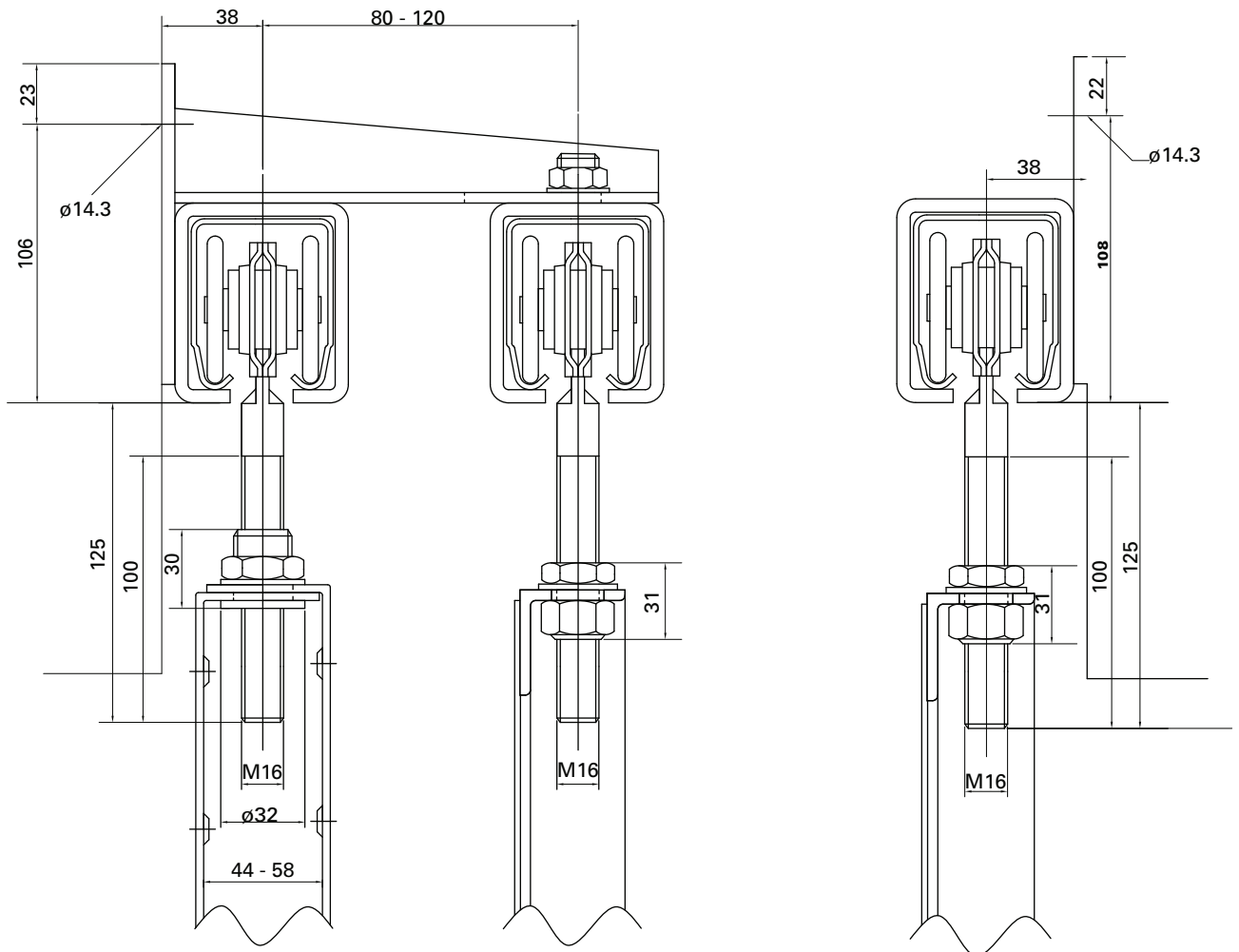
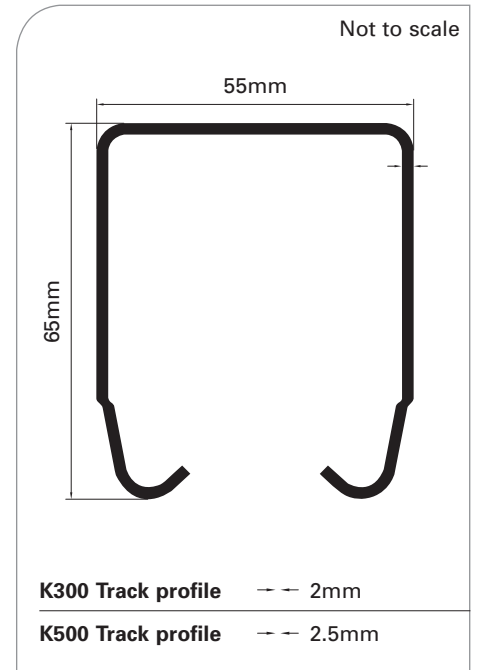
Track K500

Maximum door weight	500kg
Maximum door width	5000mm
Maximum door height	6000mm

Note: Maximum door weight for track K500 can be increased to 1200kg by fitting brackets at 500mm centres and hangers MPT-600 (single track only).

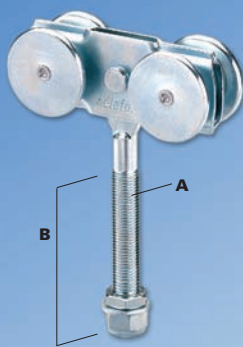
Designed for large and heavy industrial, commercial and agricultural doors.
A special hanger is also available for fire doors.

Track joints are formed simply by butting the track ends together within a bracket which has locking bolts. Please specify the following jointing brackets:
SKL301/501, SKL302/502, KKKL301/501, KKL301/501



Example: One timber and one metal door on double track

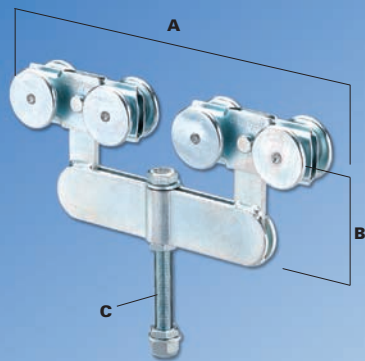
Example: Single Metal Door



Hanger MP300 - 500

For use on metal doors

A M16 B 100mm



Hanger MPT - 600

For use on metal doors only

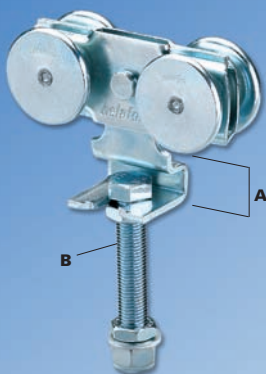
A 328mm B 78mm C M16x 150mm



Timber Door Plate PPS300 - 500

Adjustable to suit varying door thickness

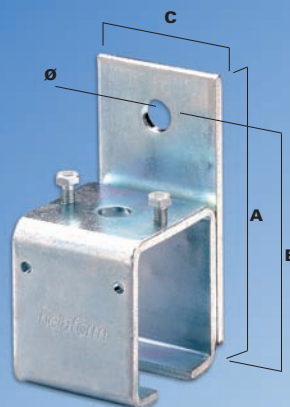
A 170mm B 44-58mm C 75mm



Hanger MPS300 - 500H

For steel fire doors (bearings to withstand temperatures up to 300°)

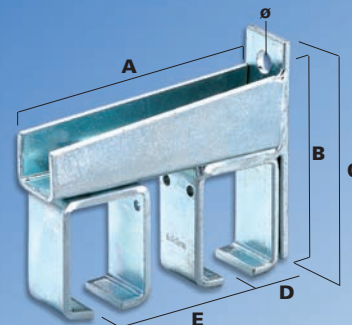
A 40mm B M16 x 100mm



Bracket SK301 / 501

Face fix. Note: Locking Bracket type SKL301 / 501 illustrated

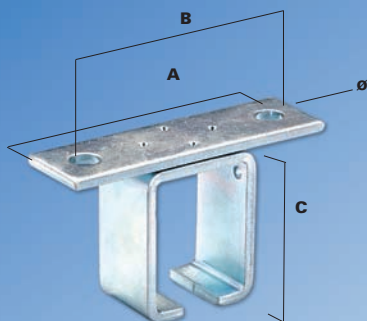
A 130mm B 108mm C 60mm
D 71mm ø 14.3mm



Bracket SK302 / 502

Double face fix - adjustable

A 190mm B 106mm C 130mm
D 38mm E 80-120mm ø 14.3mm



Bracket KKK 301 / 501

Soffit fix

A 165mm B 120mm C 81mm
ø 14.3mm



BRACKET BODY KK301 / 501

Fixing by slotted countersunk M12 Bolt (not supplied)

A 76mm ø 13mm



End Clip PK301