

Series K150

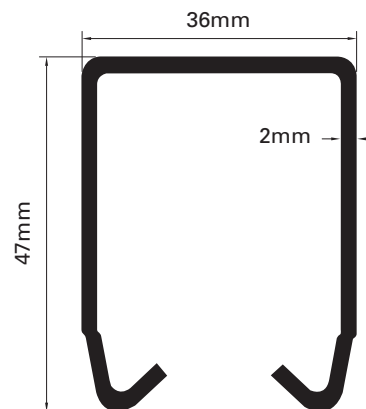


Maximum door weight	200kg
Maximum door width	3000mm
Maximum door height	4000mm

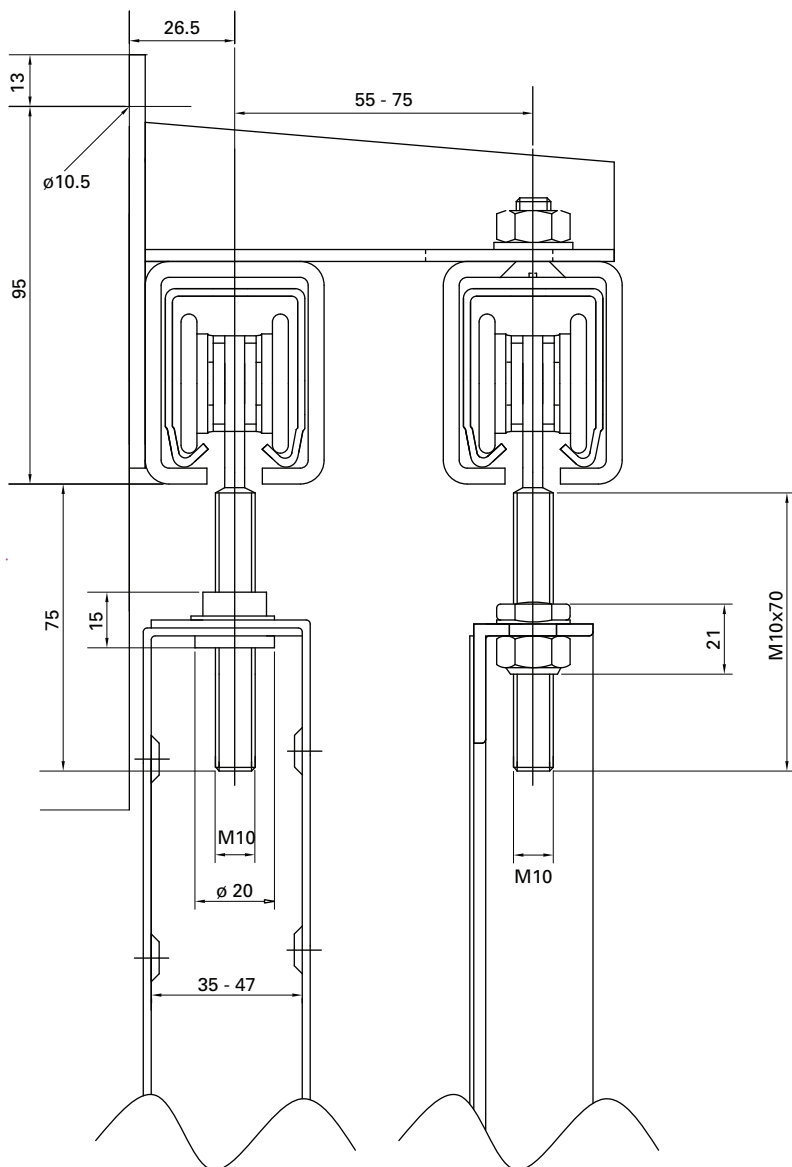
Designed for medium size industrial and commercial doors. A special hanger is also available for industrial curtains.

Track joints are formed simply by butting the track ends together within a bracket which has locking bolts. Please specify the following jointing brackets: SKL151, SKL152, KKKL151, KKL151.

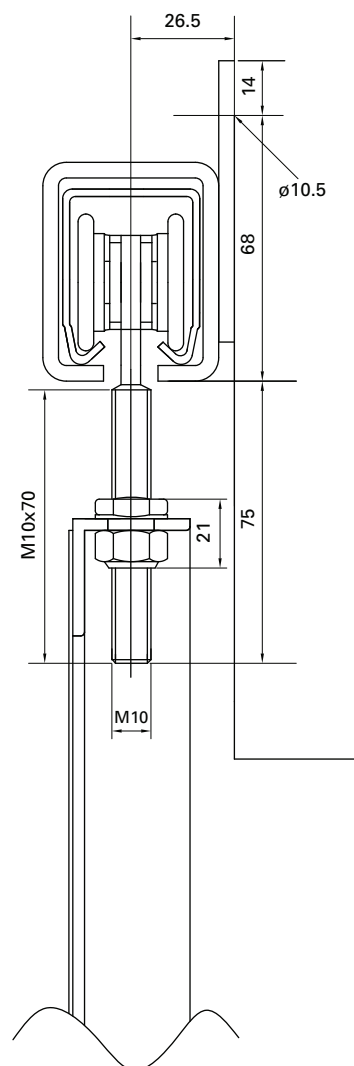
Not to scale



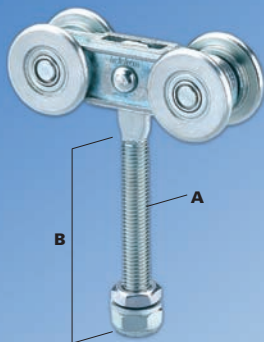
K150 Track profile



Example: Timber door and metal door on a double track



Example: Single metal door



Hanger MP - 150

For use on metal doors

A M10 B 70mm



Timber Door Plate PPS 150

Adjustable to suit varying door thicknesses

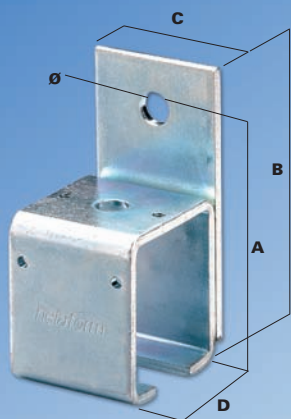
A 152mm B 35 - 47mm C 57mm



Curtain Hanger VP / 2 - 150

Maximum loading 50kg
Removable 'S' hook

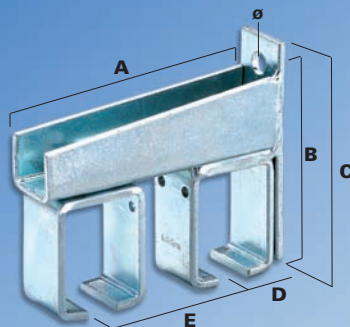
∅ 7mm



Bracket SK151

Face fix

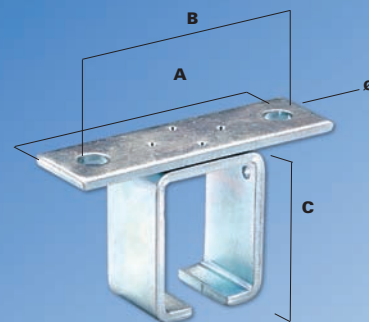
A 68mm B 82mm C 30mm
D 49mm ∅ 10.5mm



Bracket SK152

Double face fix - adjustable

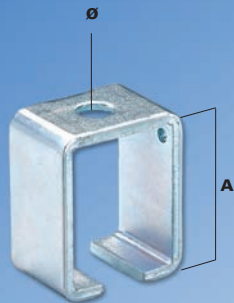
A 120mm B 95mm C 108mm
D 27mm E 55 - 75mm ∅ 10.5mm



Bracket KKK151

Soffit fix

A 100mm B 75mm C 60mm
∅ 10.5mm



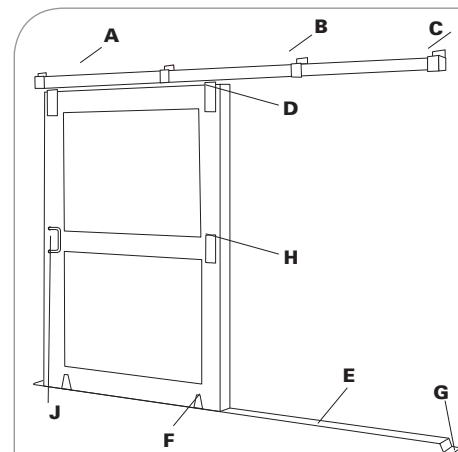
Bracket Body KK151

Fixing by slotted countersunk M10 bolt or woodscrew (not supplied)

A 56mm ∅ 10.5mm



End Clip PK151



Hardware for a timber door

A Track B Brackets C End clips
D Hangers with plates E Guide channel
F Guides G Stop H Flush pull J D handle