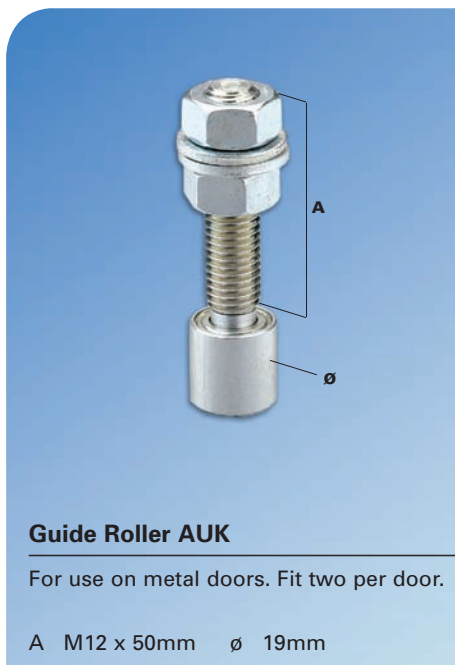


# Guide systems



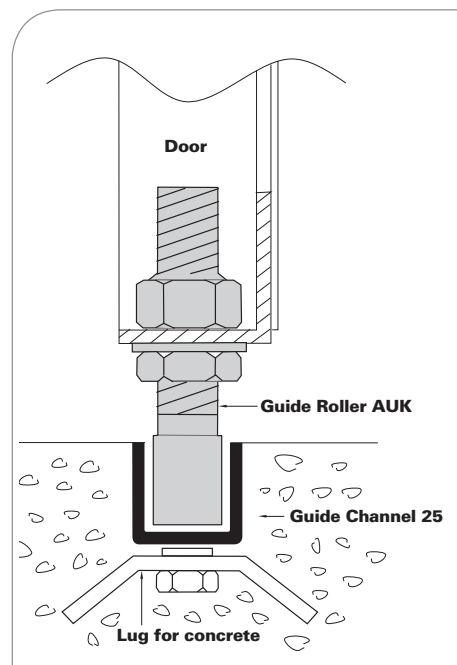
These are essential for the correct use and safety of a sliding door. The most popular systems are full length ground channels (the same total of metres as the top track) with guides fixed to the bottom of the door. Alternatively, under door channels, wall or ground guides can be used.



## Guide Roller AUK

For use on metal doors. Fit two per door.

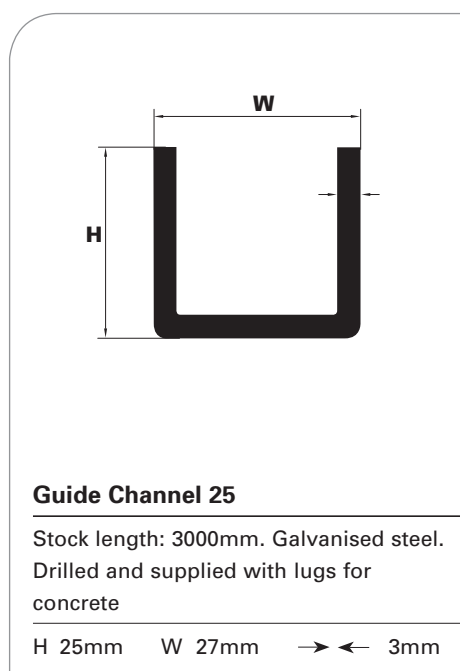
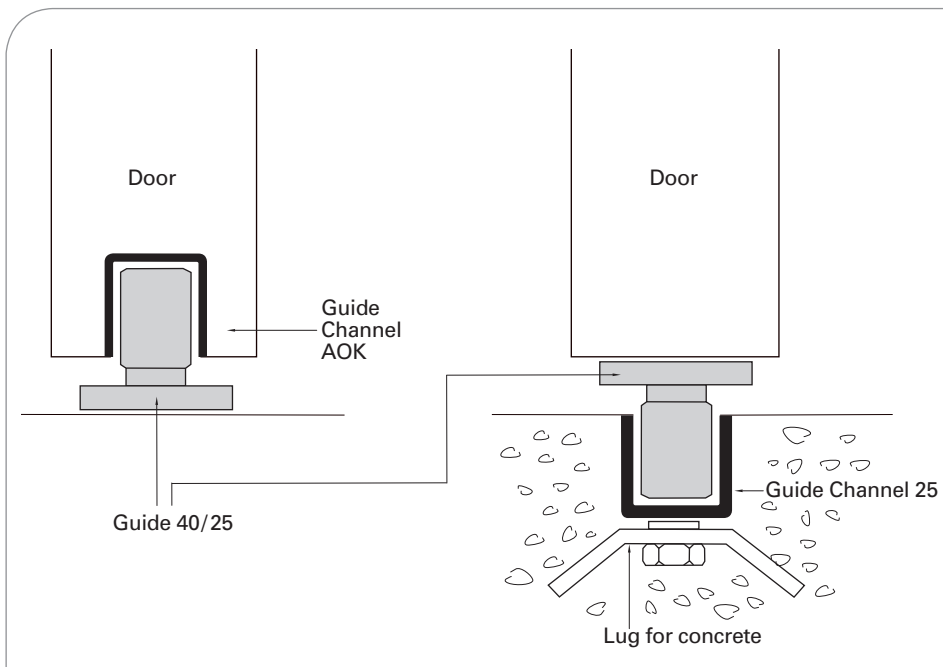
A M12 x 50mm ø 19mm



## Under Guide Roller 40/25

For timber or metal doors. Fit two per door when used with ground channels. Only one required if using under door channel.

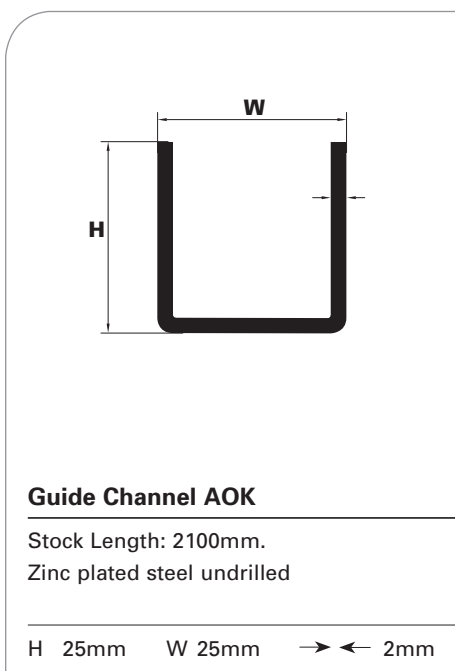
A 30mm B 75mm ø 19mm



## Guide Channel 25

Stock length: 3000mm. Galvanised steel. Drilled and supplied with lugs for concrete

H 25mm W 27mm → ← 3mm



## Guide Channel AOK

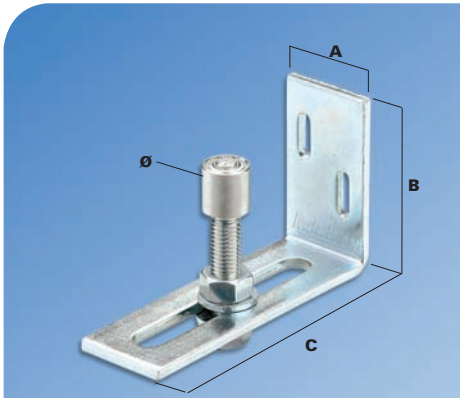
Stock Length: 2100mm. Zinc plated steel undrilled

H 25mm W 25mm → ← 2mm



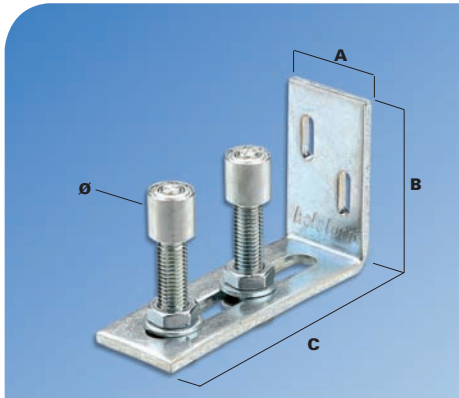
## Guide Channels

Note: Channel AOK is only suitable for pedestrian traffic when fitted as a ground channel.



**Wall Guide AO - 12**

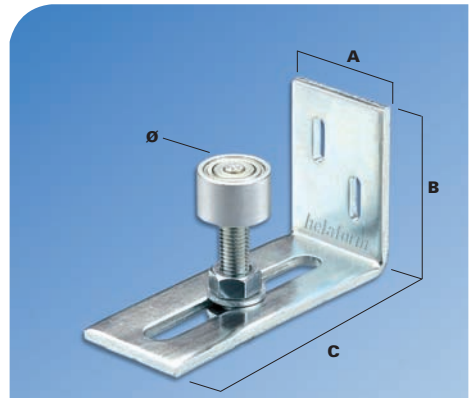
A 40mm	B 76mm	C 125mm
Ø 19mm	slot length 100mm	
X Minimum 15mm		



**Wall Guide AO - 22**

Maximum door thickness: 65mm

A 40mm	B 76mm	C 125mm
Ø 19mm	slot length 100mm	
X Minimum 15mm		



**Wall Guide AO - 13**

A 40mm	B 76mm	C 125mm
Ø 30mm	slot length 100mm	
X Minimum 15mm		

