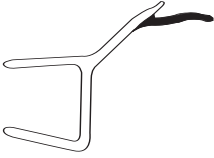
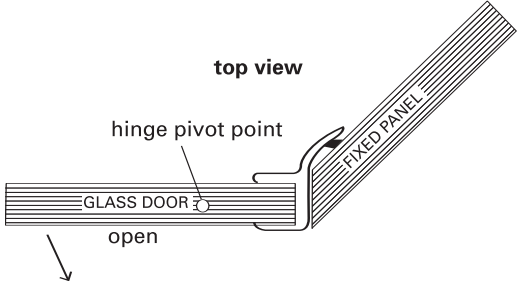
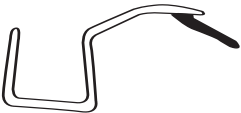
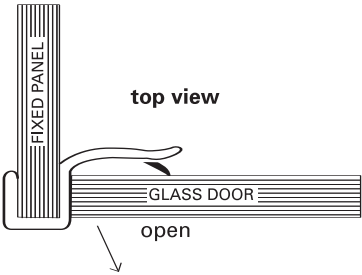
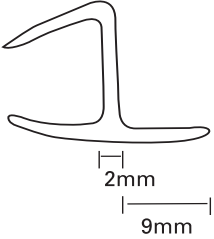
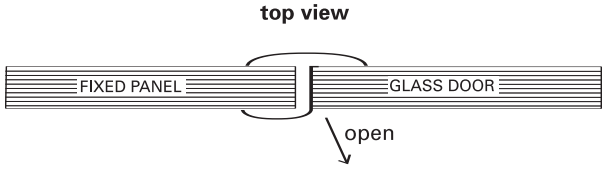

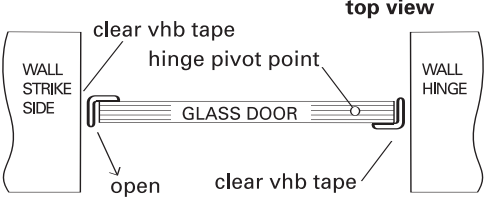
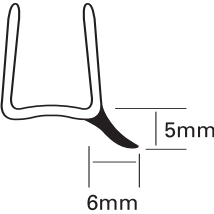
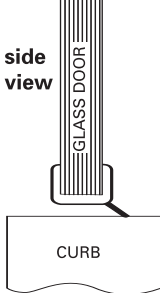
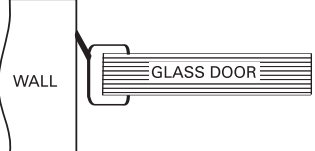


Seals and wipes

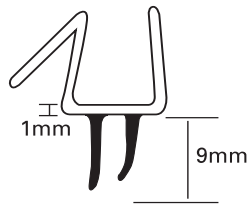
Manufactured from clear PVC, these seals are supplied in 2200mm lengths and snap on to the glass (except type LJ)

<p>Door jamb For 135° glass to glass</p> <p>code glass P08 DJ 8mm P10 DJ 10mm</p>		<p>top view</p> 
<p>Strike jamb For 90° glass to glass</p> <p>code glass P08 SJ 8mm P10 SJ 10mm</p>		<p>top view</p> 
<p>H jamb For 180° glass to glass</p> <p>code glass P08 HJ 8mm P10 HJ 10mm P08HJS 8mm with soft flipper P10HJS 10mm with soft flipper</p> <p style="border: 2px solid red; border-radius: 50%; padding: 5px; display: inline-block;">HSJ Version now available in 6mm and 12mm</p>		<p>top view</p> 
<p>Angle jamb For glass to glass / wall</p> <p>code glass P612LJ 6 - 12mm</p>		<p>top view</p> 
<p>Seal and wipe</p> <p>code glass P08 SW 8mm P10 SW 10mm</p>		<p>side view</p>  <p>top view</p> 

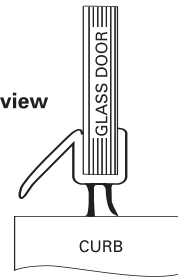
Bottom wipe with drip rail

code glass
P08 WDR 8mm
P10 WDR 10mm

WDR Variant now available in 6mm and 12mm



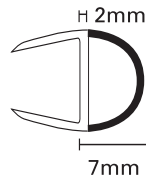
side view



Bubble seal

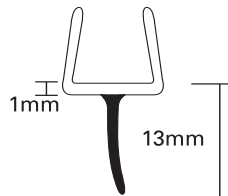
code glass
P08 BS 8mm
P10 BS 10mm

BS Variant now available in 6mm and 12mm



Bottom rail

code glass
P08 BR 8mm
P10 BR 10mm



side view



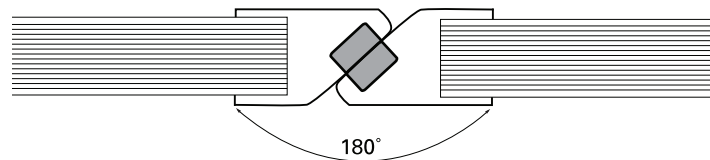
Magnetic Seals

The series G-Tech and 54 hinges are not self centering and require seals to hold the door in the closed position. For glass to wall applications bubble seal should be used but for glass to glass applications then magnetic seals are available.

Magnetic Seal (pair)

For 180° glass to glass

code glass
MS08/180 8mm
MS10/180 10mm



Magnetic Seal (pair)

For 90° glass to glass

code glass
MS08/90 8mm
MS10/90 10mm

