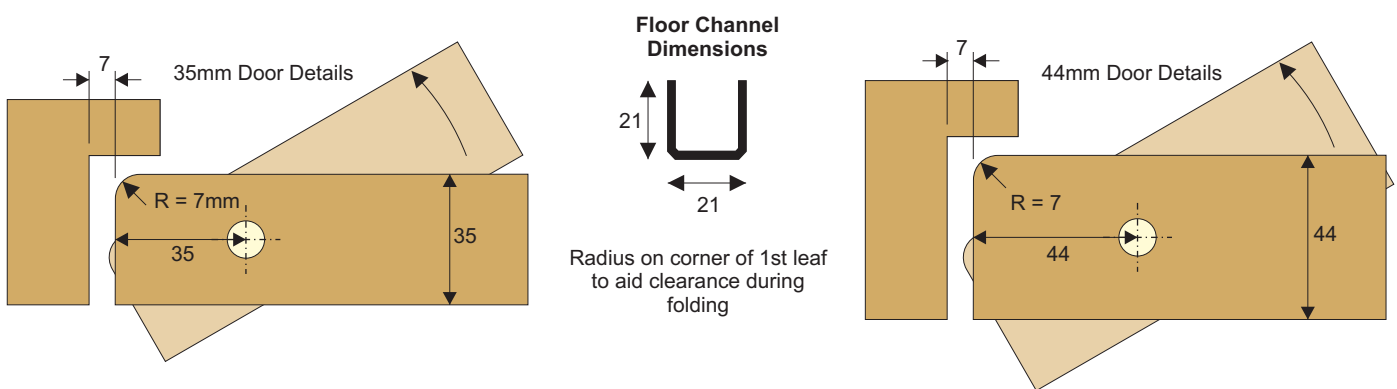
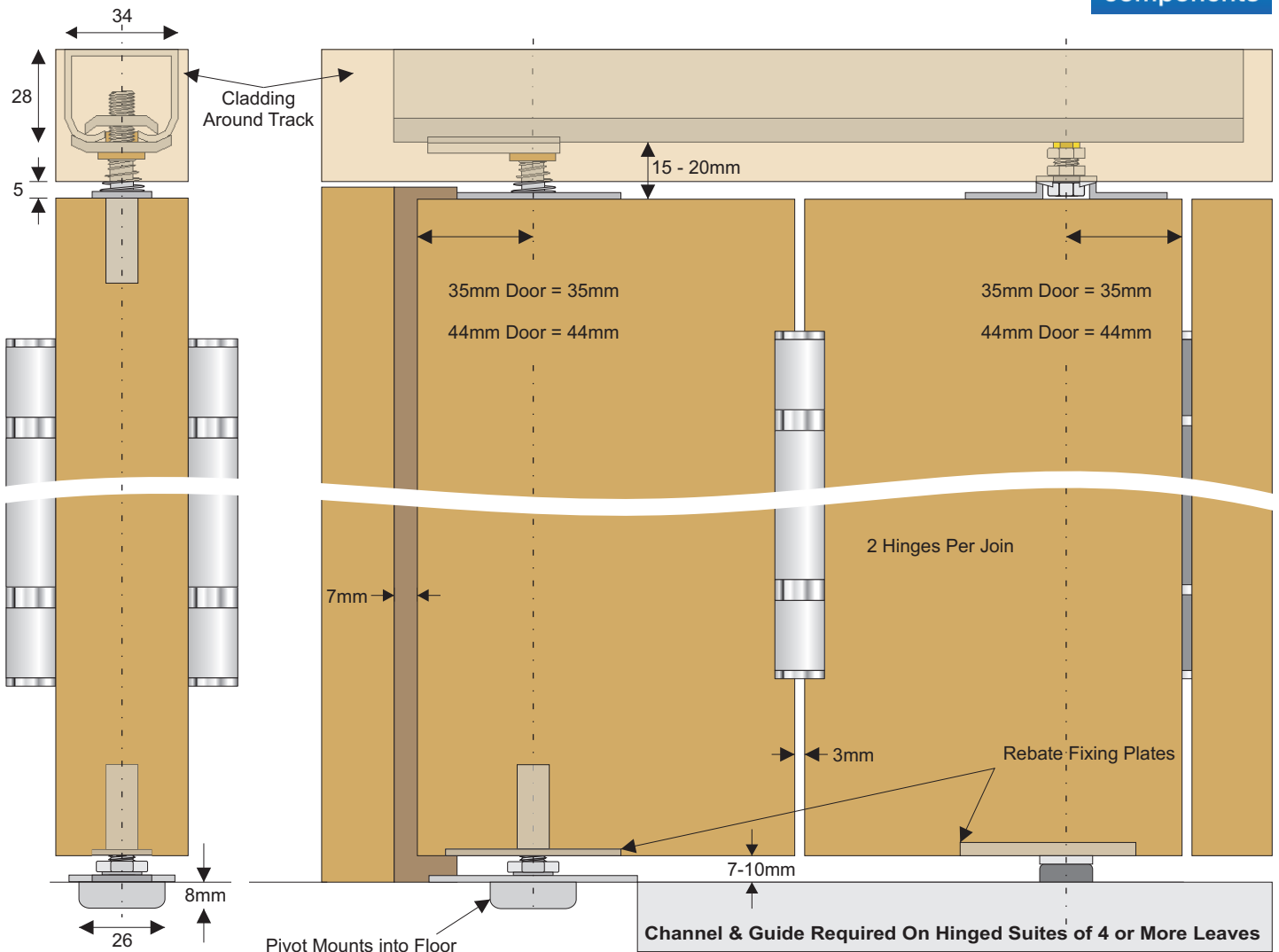


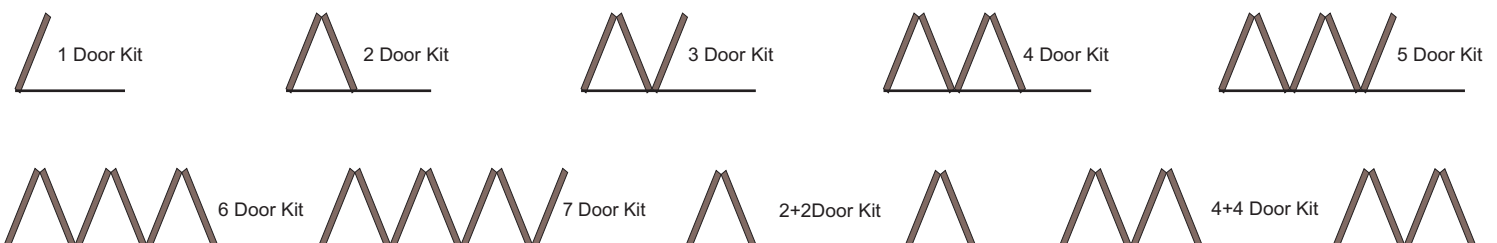
Endfold 30 Technical Details

Max door weight 30kg. Max door width 800mm.
Max door height 2100mm. Door Thickness 35-44mm.

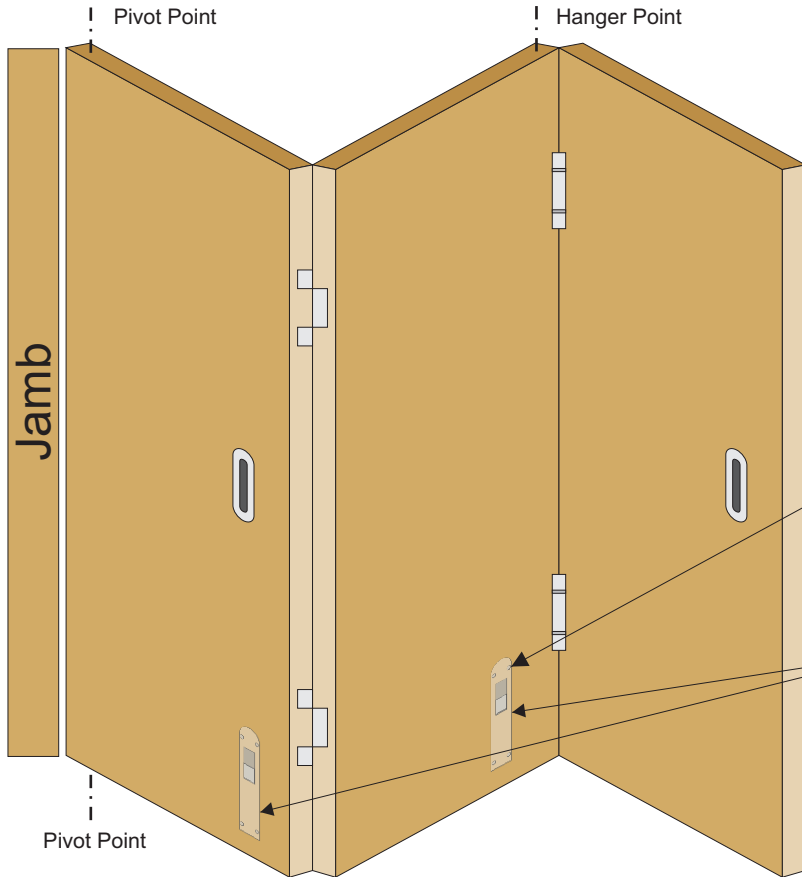


Kit Layouts

Kits can be combined - for example 2 No. 3D kits. Track & Channel sold separately. in 1.5m, or 3.0m lengths.



Endfold 30 Hardware Layout



Kits for layouts upto 3 Doors do not Require Floor Channel.

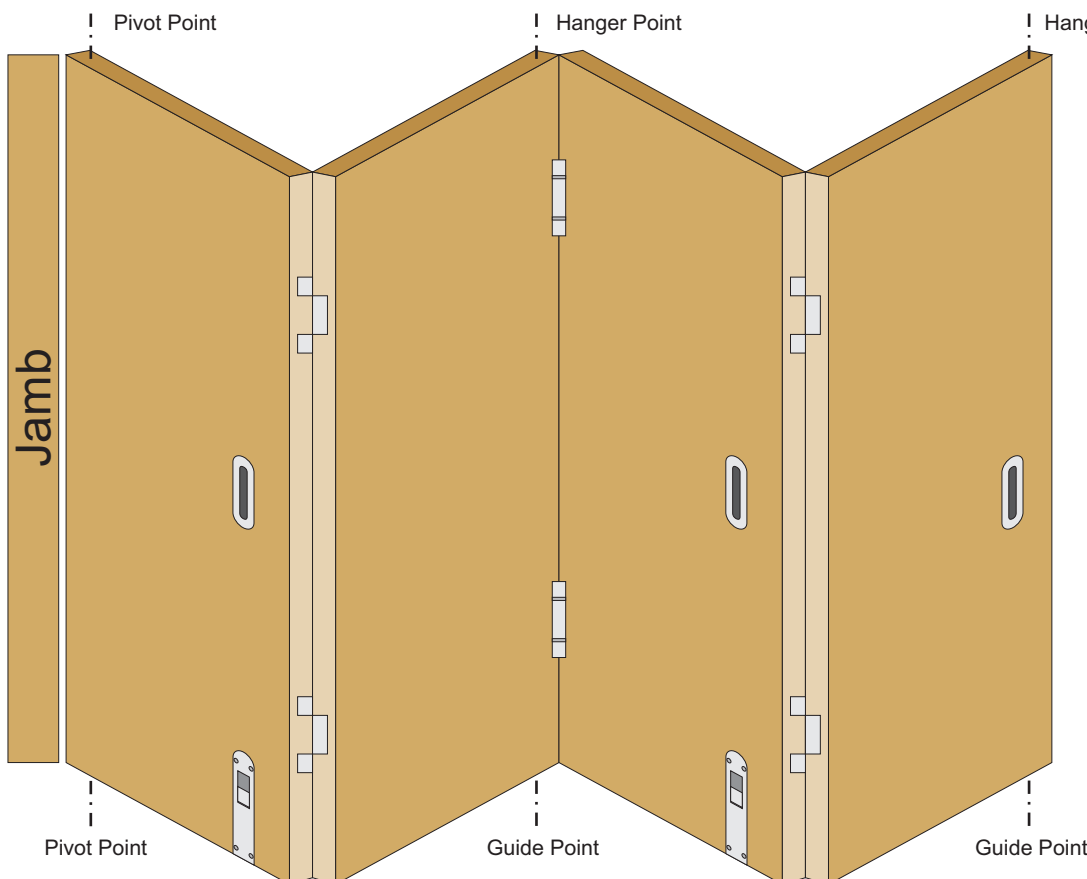
Kits for Layouts over 4 Doors Contain Bottom Guides and Must Have Floor Channel.

Bolt Adjacent to Swing Leaf Only on 3 Door Layout Without Bottom Guidance

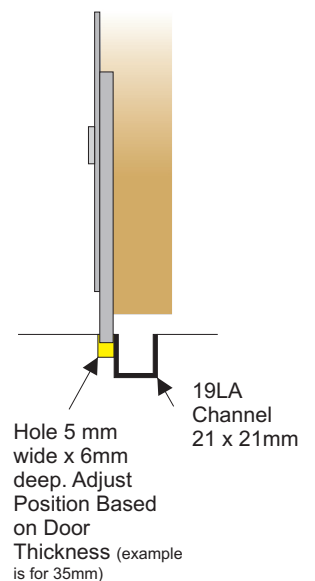
Flush Bolts Must Be Placed On The Side Of The Door You Would Push Open The Swing Leaf From.

Swing Leaf Must Be Held Against Middle Leaf Before Bolts Are Released And Door Is Folded.

Odd Leaf Hardware Layout



Flush Bolt Fits to one Side of Channel. Drill 10mm Hole for Bolt Shoot to Locate. Depth of Hole = 6mm.



Even Leaf Hardware Layout