

Downee Gravity Latches DPG300 Double Sided Gravity Latch - external

Installation, instruction and maintenance sheet

PLEASE CAREFULLY READ ALL OF THE INSTRUCTIONS PRIOR TO INSTALLATION

Step 1

The DPG300 Double Sided Gravity Latch is designed to fit both right-hand and left-hand applications.

To conform to your application both the latch assembly and the button assembly may need to be reversed.

To reverse the latch assembly; remove the four screws holding the mounting base, carefully lift and rotate the mounting base 180° (fig 1) and fasten with provided hardware.

To reverse the button assembly; remove the four screws, mounting base, spring, button clip and spindle from the button as shown (fig 2). Rotate the mounting base, button clip and spindle 180.

Reinstall components in the following order, as shown (fig 3), to insure proper functionality:

1. Slide spindle in the provided slot of the button (Refer to Step 2 if spindle must be cut)
2. Insert button clip into button then insert button into button housing
3. Insert spring into button pin, make sure spring seats on mounting base spring bump
4. Finally, insert mounting base (make sure spindle slides through provided slot of the mounting base) and fasten with provided hardware.

IMPORTANT:
INNER COMPONENTS MUST NOT BE
DISTURBED WHILE REVERSING THE
ASSEMBLIES.

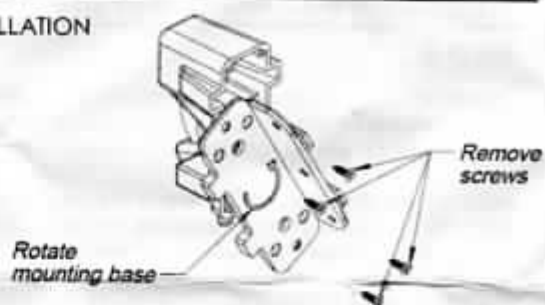


FIG. #1
Latch assembly

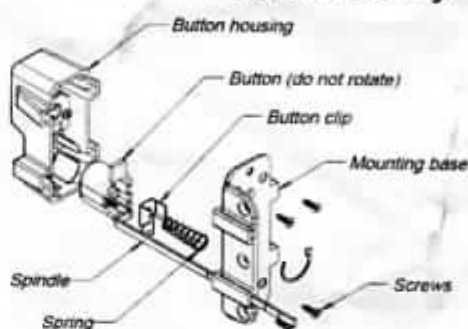
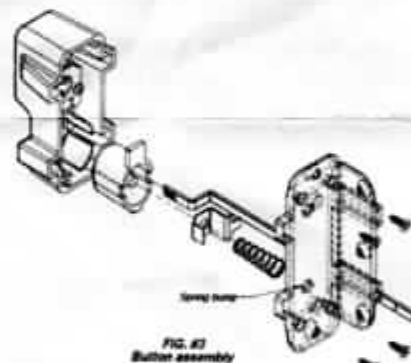


FIG. #2



Step 2

The DPG300 Double Sided Gravity Latch is designed to fit post sizes varying from 50 to 127mm in depth.

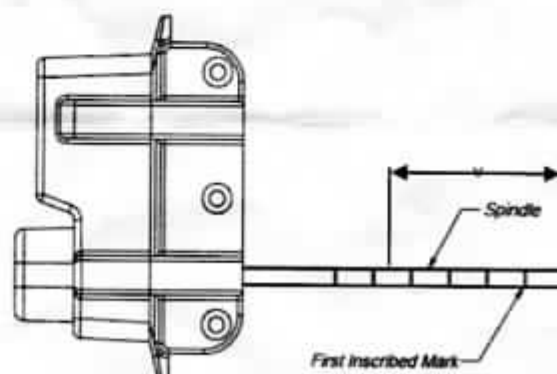
Pick the fence post depth size from chart below to find the length 'x' that needs to be cut off from both spindles, measured from the end.

'x' can also be calculated as follows:

$$x = 127 - \text{Depth of post}$$

IMPORTANT:
BE CAREFUL TO AVOID BENDING SPINDLE DURING CUTTING
PROCESS

Post depth	Cut off length off both spindles (x)
50	77
65	62
75	52
90	37
100	27
125	2



Button Assembly

Downee Gravity Latches DPG300 Double Sided Gravity Latch -external

Installation and instruction sheet

Step 3

Locate latch assembly at the desired height on the fence post, mark the centre points of the mounting holes, and drill appropriate pilot holes for mounting screws.

Insert spindle of button assembly into the provided slot of the mounting base of latch assembly and align to make sure spindle is properly inserted and levelled.

Mark the centre points of the mounting holes, and drill appropriate pilot holes for mounting screws (fig 4).

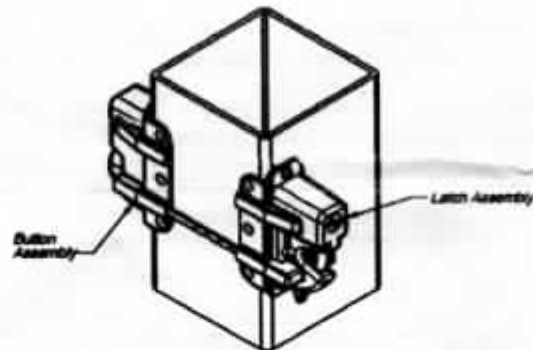


FIG. #4

Step 4

After installing the latch and button assembly, with the gate closed, position and attach the striker with the striker rod within the latch assembly behind the latch mechanism and mark the centre points of the mounting holes, and drill appropriate pilot holes for mounting screws (fig 5).

After installation, TEST the locking and unlocking mechanism of the latch from both sides.

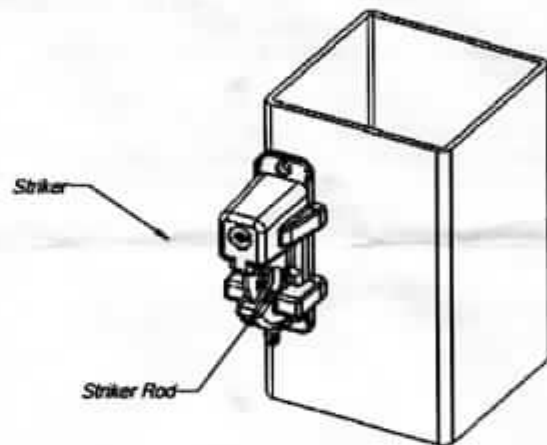


FIG. #5

USE: Remove the keys from the locks when it is not in use to prevent unauthorised access.

MAINTENANCE: Do not use petroleum based lubricants on the moving parts of the latch, button and locks. Lubricate with powdered graphite only. Keep the latch and button free of contaminants, such as sand, ice and dust, as they could impair their function.