

# LOCK FOR SLIDING GATES

SLIDING GATE LOCK - STAINLESS STEEL - (PATENT PENDING)



## TYPE LSKZ U2 SLIDING GATE LOCK

- Chassis, mechanism and twistfinger in stainless steel
- Reversible
- Fixing with 2 hexagon socket head screws
- Innovative closing system
- Extremely strong version

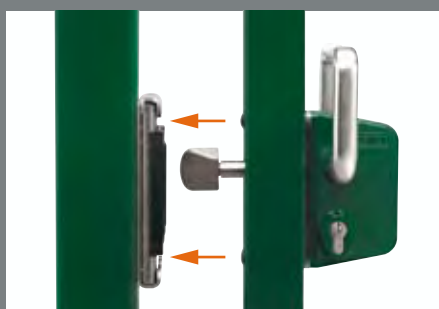
• Available in following RAL colours:



Mechanism: stainless steel



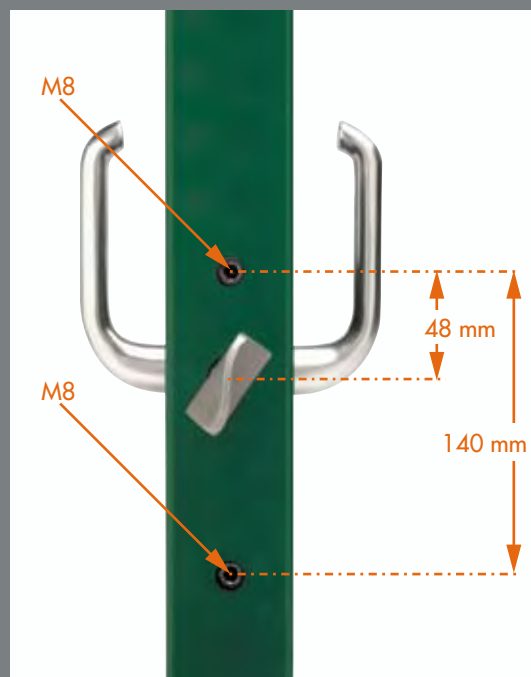
Innovative closing system



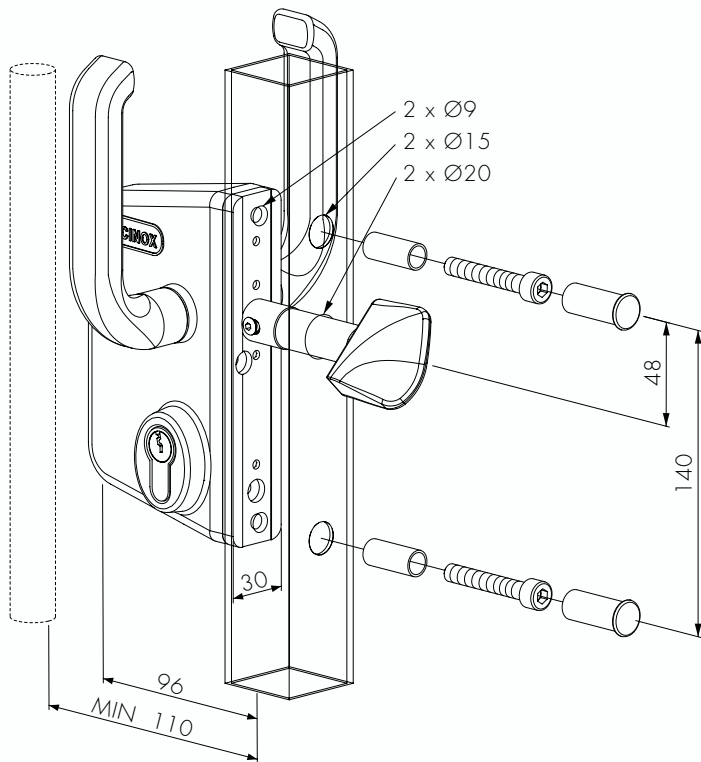
Secure and fast closing



Secure and fast closing



Fixing & centre distances



LSKZ40 U2  
For □ 40 mm

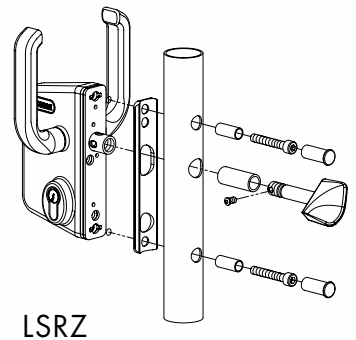
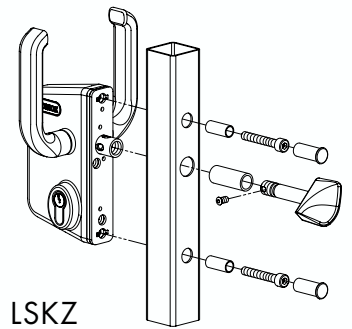
LSKZ50 U2  
For □ 50 mm

LSKZ60 U2  
For □ 60 mm

LSKZ80 U2  
For □ 80 mm

LSKZ100 U2  
For □ 100 mm

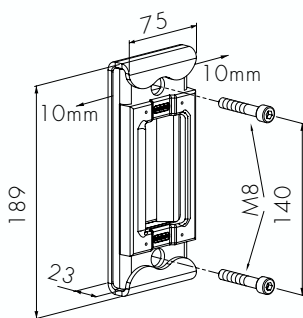
LSKZ120 U2  
For □ 120 mm



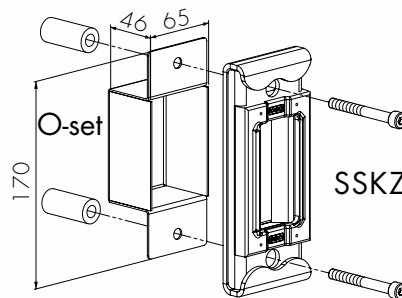
3970LS Drilling jig for : LS lock and SSKZ / SSKO keeps  
Adjustable for profile 40 - 50 - 60 mm

3970LS2 Drilling jig for : LS lock and SSKZ / SSKO keeps  
Adjustable for profile 60 - 80 mm

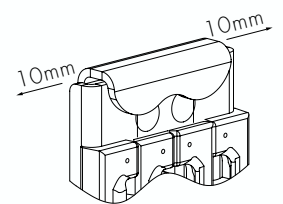
## KEEP FOR SQUARE AND FLAT PROFILES FOR LSKZ U2 AND LSRZ U2



SSKZ: Keeps for square profiles

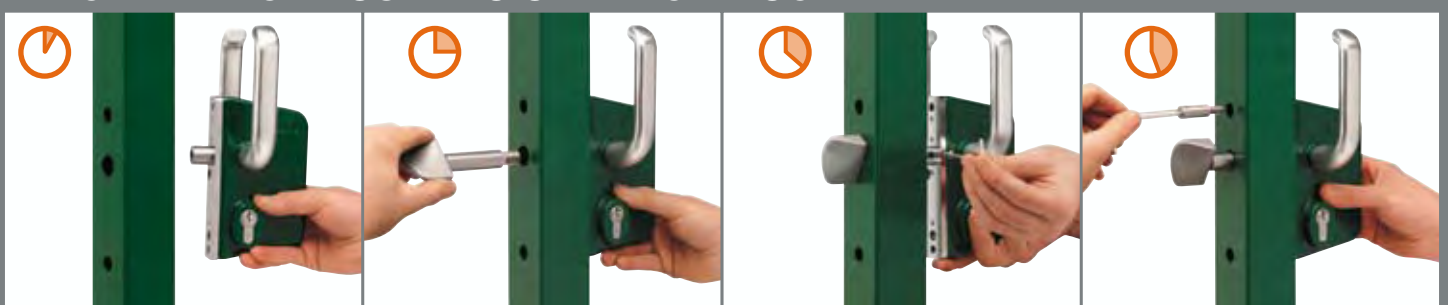


SSKO: Keeps for flat profiles with stainless steel box



10 mm adjustment  
on both sides

## FAST AND EASY MOUNTING OF THE LSKZ LOCK



Place the LSKZ lock in front of the holes

Screw the twistfinger into the LSKZ lock

Pull back the LSKZ lock and block the twistfinger by fixing the screw

Fix the LSKZ lock onto the profile with a hex-key